

SERVER.

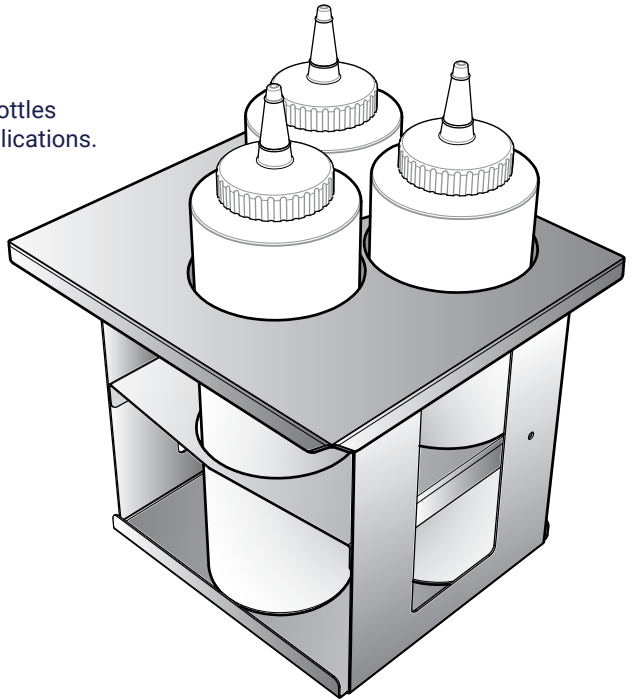
• E S S E N T I A L S •

Triple Squeeze Bottle Holder

Use with an IntelliServ® warmer;
fills the space of a 1/6-size pan.

MODEL SBH-3
87530

Includes (3) - 16 oz,
2.56" diameter,
high-density squeeze bottles
required for heated applications.



Thank You

for purchasing our squeeze bottle holder.
Finishing and plating is quick and easy
when warm toppings and sauces are within reach.

KEEP TOPPINGS WARM AND READY TO SERVE
BETTER

SQUEEZE BOTTLE HOLDER

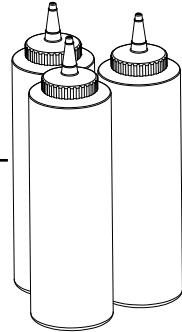
**MODEL SBH-3
87530**

**INCLUDES 3
SQUEEZE BOTTLES**

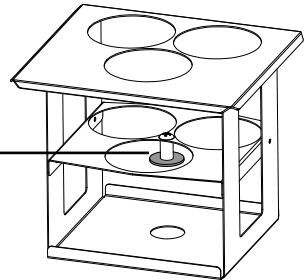
16 oz, 2.56" diameter,
high-density (required for heated applications)

For fast switch-out,
be sure to have extra
squeeze bottles on hand.

Order part number **86809**



**WASHER
86817**



87530 Squeeze Bottle Holder
fits into an IntelliServ™ warmer.

The 1/3-size warmer capacity
is easy to customize:

PART
NUMBER

Stainless Steel FP-1/6 Pump,
1 oz (30 mL)

86312

1/6-Size, 6" (150mm) Deep Pan,
2¾ qt (2.6 L)

90089

1/6-Size Pan Lift-off Lid

90094

Stainless Steel 6" Ladle,
1 oz (30 mL)

87213



SAFETY



According to food and safety regulations, most foods must be stored and/or served at certain temperatures or they could become hazardous. Check with local food and safety regulators for specific guidelines. Server Products, Inc. cannot be responsible for the serving of potentially hazardous product.

Be aware of the product you are serving and the temperature the product is required to maintain. Server Products, Inc. can not be responsible for the serving of potentially hazardous product.

IMPORTANT

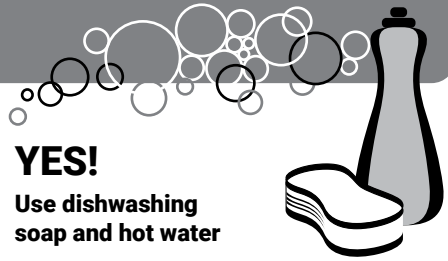
Clean, rinse, sanitize, and dry parts daily or regularly to comply with local sanitization requirements.



COMPONENT

CLEANING

- 1 WASH**
all parts with dishwashing detergent and hot water.
- 2 RINSE**
all parts thoroughly with clear water.
- 3 SANITIZE**
all parts according to local sanitization requirements. All parts in contact with food must be sanitized.
- 5 AIR DRY**
all parts fully.



YES!

Use dishwashing soap and hot water

Squeeze bottles are dishwasher safe

CARE OF STAINLESS STEEL

This holder is constructed of stainless steel— one of the best materials for food serving and storage.

If you notice corrosion beginning on any stainless steel surface, you may need to change the cleansing agent, sanitizing agent, or the cleaning procedures you are using.

- A mildly abrasive nylon or brass brush may be used to remove any stubborn food or mineral deposits on interior surfaces of unit.
- Fully rinsing and drying all parts can help prevent corrosion. Elements and minerals in tap water can accumulate on stainless steel parts and create corrosion.
- Do not use abrasive, caustic or ammonia based cleansers.
- Do not use products containing acids, alkalines, chlorine, or salt. These agents can corrode stainless steel.
- Do not use metal scrapers or cleaning pads that could scratch surfaces.

SERVER PRODUCTS LIMITED WARRANTY

2 YEAR
WARRANTY

This Server product is backed by a two-year limited warranty against defects in materials and workmanship. See [Server-Products.com](https://www.server-products.com) for details.

GENERAL SERVICE, REPAIR OR RETURNS

Before sending any item to Server Products for service, repair, or return, contact Server Products customer service to request a **Return Authorization Number**. Merchandise must be sent to Server Products with this number. Service is extremely prompt. Typically, units are repaired and ship out within 48 hours of receipt.

Merchandise being returned for credit must be in new and unused condition and not more than 90 days old and will be subject to a 20% restocking charge.

NEED HELP?

Server Products Inc.
3601 Pleasant Hill Road
Richfield, WI 53076 USA

Chat with us!

spsales@server-products.com

262.628.5600 | 800.558.8722

Please be prepared with your **Model, P/N** and **Series** located on the lid or base of the unit.

Example:

MODEL XXXX P/N #####		SERIES ##X ##X
-------------------------------	---	-------------------

SERVER
INTELLIGENT BY DESIGN™