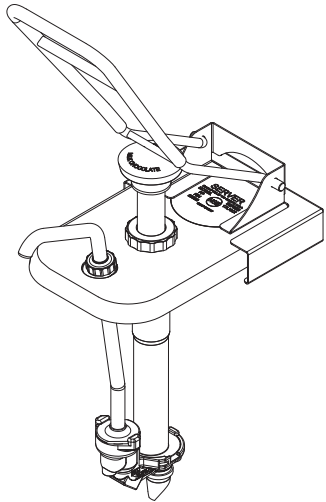


## 80991-723 Fountain Pump, Milk Chocolate



Complete View for Reference

