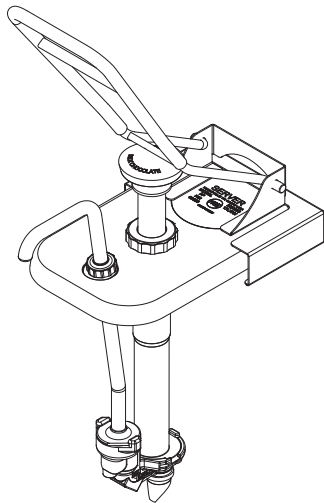


89928-723

Fountain Pump, Milk Chocolate, Horizontal



Complete View for Reference

