



SERVER

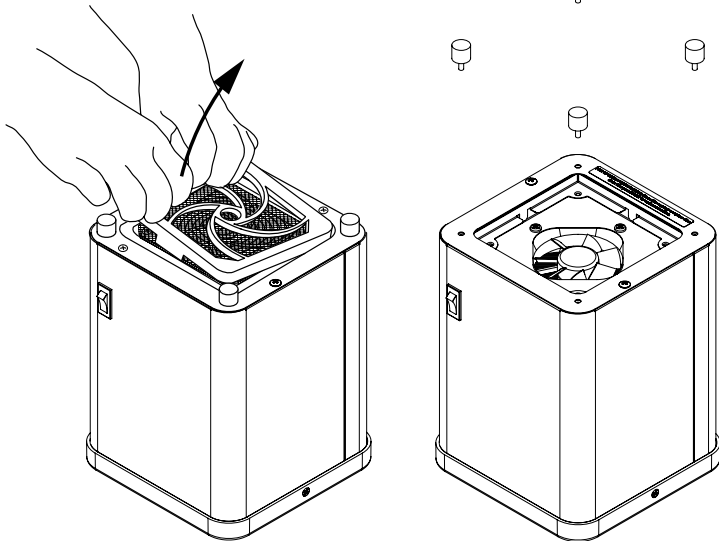
SERVE BETTER™

94158
KIT, REPLACEMENT FILTER GUARD, CHILLER
for EZ-CREAM™

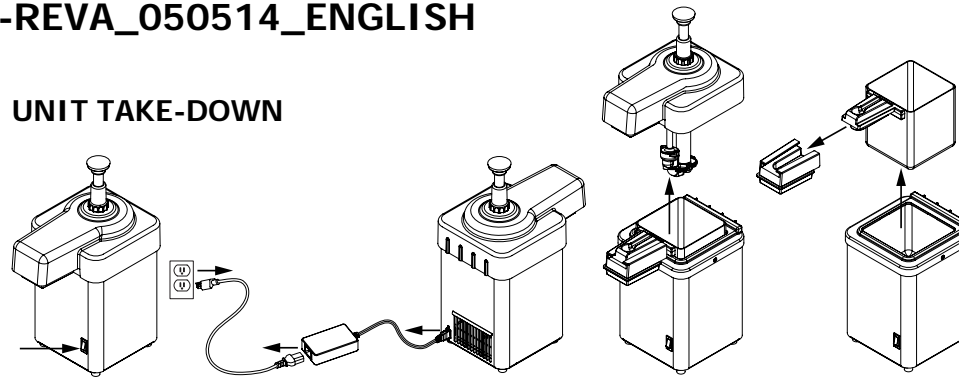
Part	Qty.	Description
86067	1	FILTER (PACK OF 5)
94153	1	SCREEN, FILTER GUARD
94154	1	DRAWER, FILTER GUARD
94155	1	DRAWER COVER, FILTER GUARD
94156	1	SHROUD, FILTER GUARD

REMOVE OLD FILTER GUARD

- 1 PRESS SWITCH TO "OFF" POSITION.
- 2 UNPLUG CORD.
- 3 REMOVE PUMP.
- 4 REMOVE PRODUCT VESSEL.
- 5 TURN UNIT OVER TO ACCESS FILTER GUARD AND FILTER ON UNDERSIDE OF UNIT.
- 6 LIFT OFF FILTER GUARD COVER BY PULLING IT OFF FROM ONE EDGE. THIS PART CAN BE DISCARDED.
- 7 REMOVE FILTER AND CLEAN OR REPLACE.
 - Server Products Inc. Pack of 5 Replacement filters: 86067
 - Filter can be cleaned with hot water and dishwashing detergent. Fully rinse.
- 8 REMOVE FOUR SCREWS AND OTHER PART OF FILTER GUARD. THIS PART CAN BE DISCARDED.
- 9 REMOVE FOUR FEET.

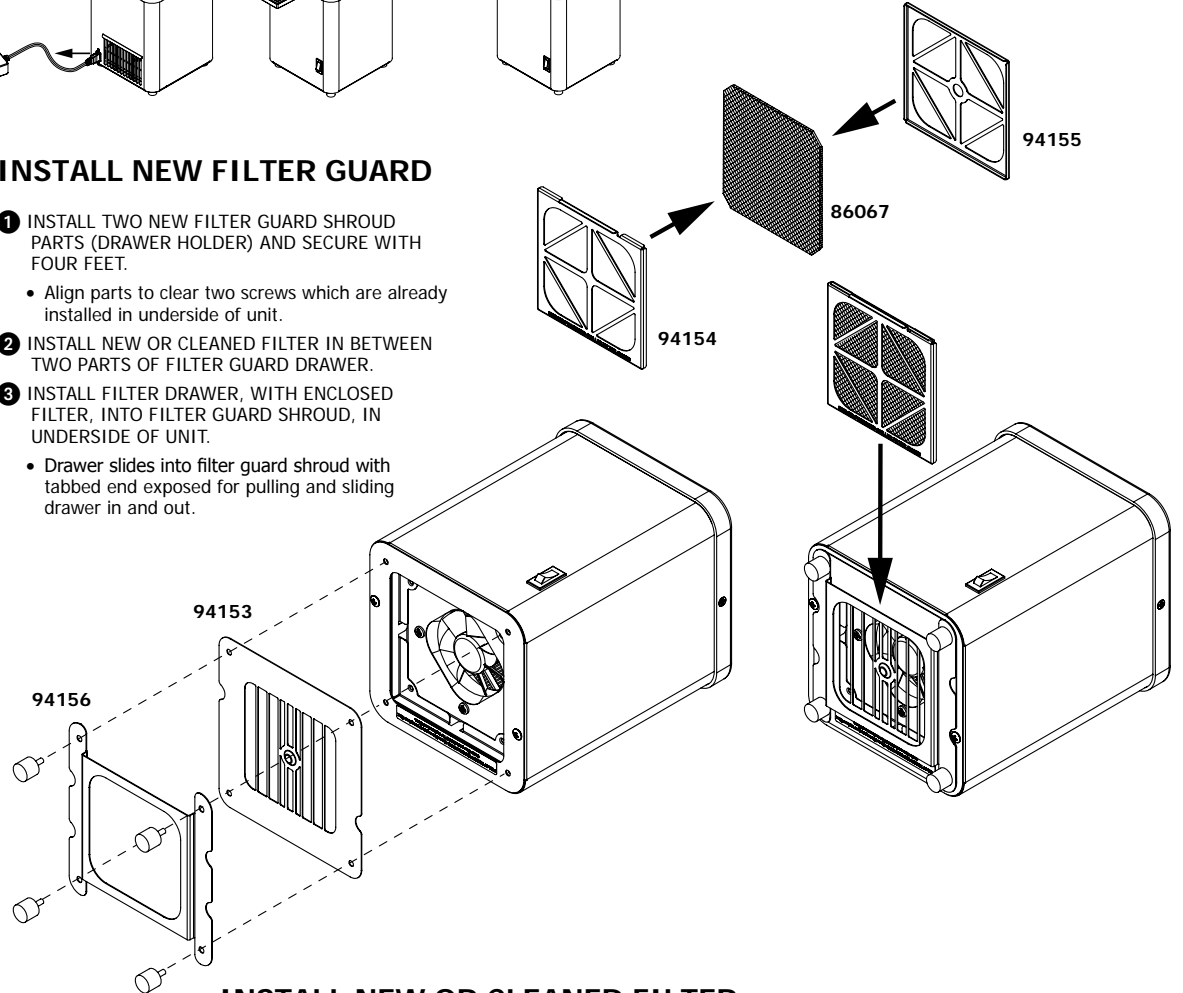


UNIT TAKE-DOWN

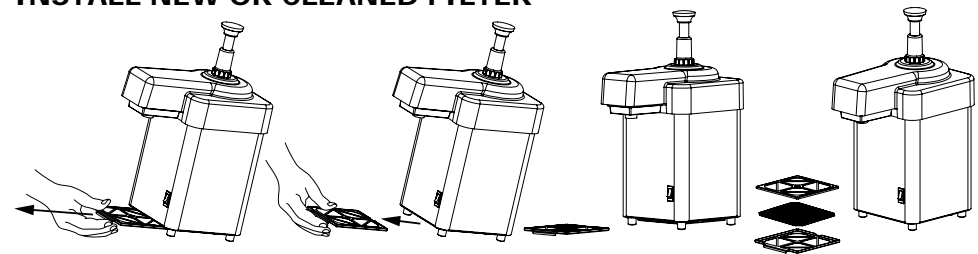


INSTALL NEW FILTER GUARD

- 1 INSTALL TWO NEW FILTER GUARD SHROUD PARTS (DRAWER HOLDER) AND SECURE WITH FOUR FEET.
 - Align parts to clear two screws which are already installed in underside of unit.
- 2 INSTALL NEW OR CLEANED FILTER IN BETWEEN TWO PARTS OF FILTER GUARD DRAWER.
- 3 INSTALL FILTER DRAWER, WITH ENCLOSED FILTER, INTO FILTER GUARD SHROUD, IN UNDERSIDE OF UNIT.
 - Drawer slides into filter guard shroud with tabbed end exposed for pulling and sliding drawer in and out.

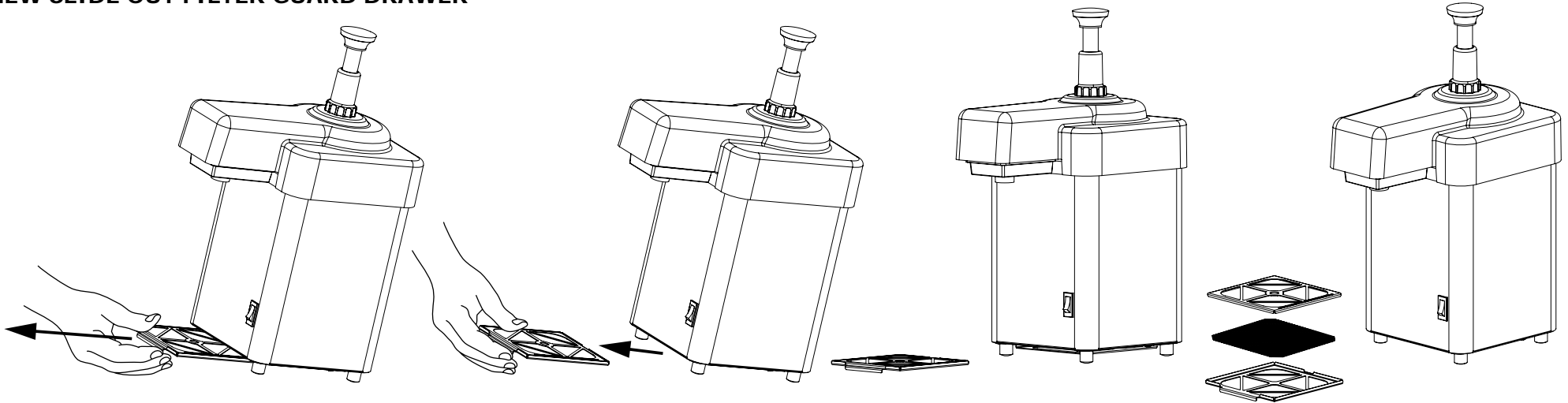


INSTALL NEW OR CLEANED FILTER



Server Products Inc.
 3601 Pleasant Hill Road
 Richfield, WI 53076 USA
 262.628.5600
 800.558.8722
 262.628.5110
 spsales@server-products.com
 www.server-products.com

NEW SLIDE OUT FILTER GUARD DRAWER



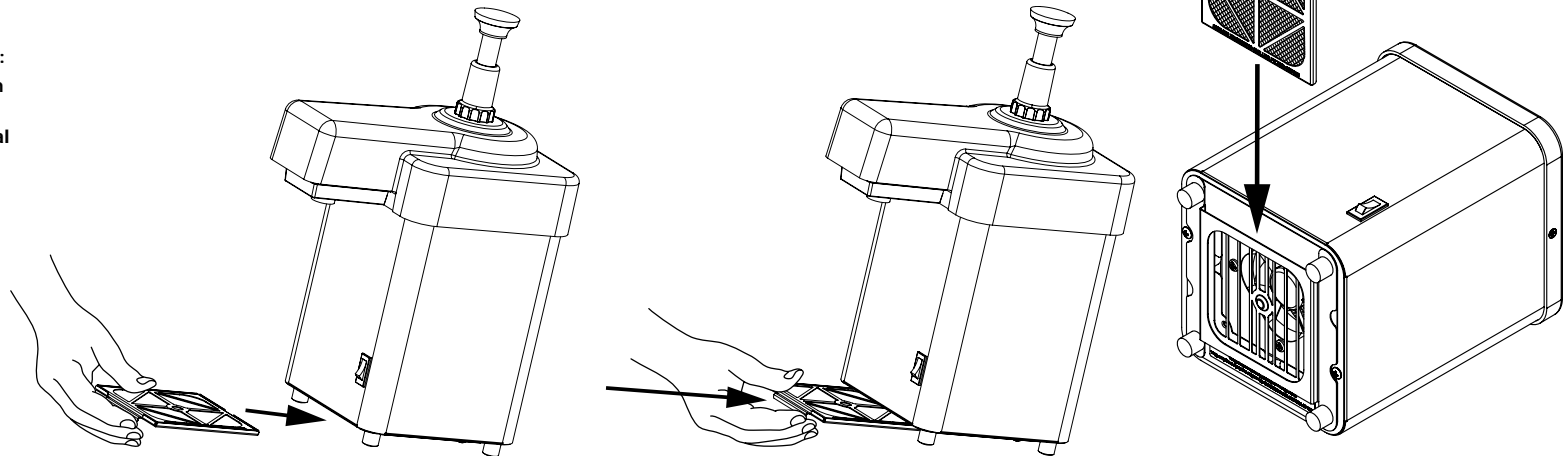
CHANGING OR CLEANING FILTER

FOR BEST UNIT COOLING AND PERFORMANCE, CHANGE OR CLEAN FILTER AT A MINIMUM OF ONCE PER MONTH.

- 1 SEE UNIT TAKE DOWN.
- 2 ENSURE UNIT IS "OFF" AND UNPLUGGED.
- 3 REMOVE FILTER DRAWER FROM UNDERSIDE OF UNIT BY SLIDING OUT OF DRAWER SLOTS.
- 4 REMOVE DRAWER COVER FROM DRAWER.
- 5 REMOVE FILTER AND CLEAN OR REPLACE.
 - Server Products Inc. Pack of 5 Replacement filters: 86067
 - Filter can be cleaned with hot water and dishwashing detergent. Fully rinse.
- 6 IF NECESSARY, WIPE DOWN FAN COVER AND SURROUNDING AREA ON UNDERSIDE OF UNIT WITH CLOTH DAMPENED WITH DISHWASHING LIQUID OR MILD SANITIZING DETERGENT.

- ⚠ ⚡ Warning- Electrical shock could occur:**
- Be sure to wring out any excess water from cloth before wiping near fan of unit.
 - Dripping water into unit can cause electrical damage to unit.

- 7 INSTALL NEW OR CLEANED FILTER INTO FILTER DRAWER.
- 8 INSTALL DRAWER COVER OVER FILTER AND INTO FILTER DRAWER.
- 9 INSTALL FILTER DRAWER INTO UNDERSIDE OF UNIT BY SLIDING INTO DRAWER SLOTS.



INSTALL NEW OR CLEANED FILTER