



SERVER

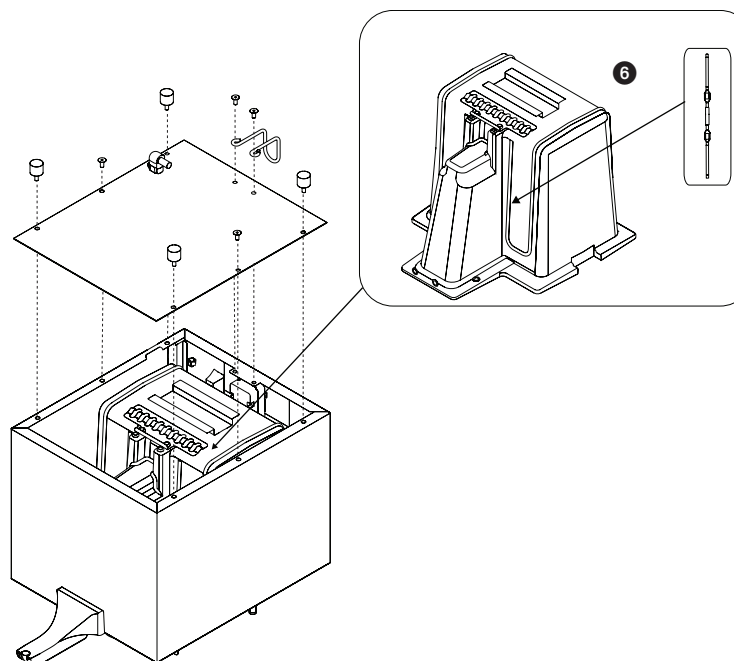
Thermal Cut-Out Replacement Kit

Stock No. 85113

For Use in Advantage Units
Series 09J to Present

OLD THERMAL CUT-OUT REMOVAL

- 1 TURN UNIT OFF AND UNPLUG CORD.
Allow unit to fully cool before proceeding to next step.
- 2 EMPTY ANY CONTENT FROM VESSEL.
Remove all accessories from unit.
- 3 TURN UNIT UPSIDE DOWN, remove feet and two screws from the bottom of the base.
- 4 REMOVE TWO SCREWS from knob guard and lift off.
- 5 LIFT OFF BOTTOM CLOSURE, the wiring will remain attached.
- 6 DISCONNECT WIRE LEAD FROM THERMAL CUT-OUT, save the lead and discard the thermal cut-out.

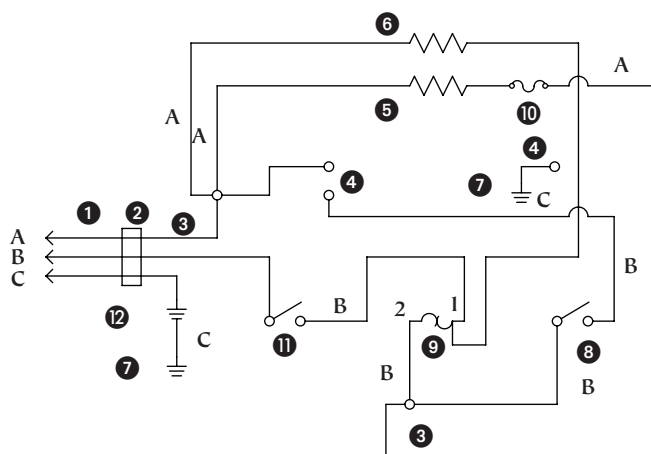


NEW THERMAL CUT-OUT INSTALLATION

- 1 INSTALL NEW THERMAL CUT-OUT, and reattach wire lead.
- 2 REPLACE ALUMINUM TAPE, securing the thermal cut out to vessel.
- 3 ATTACH BOTTOM PANEL, with two screws and attach feet.
- 4 SECURE KNOB LOCK in place with two screws.

WIRING DIAGRAM

- 1 Cord Assembly
A White
B Black
C Green
- 2 Bushing, Strain Relief, Right Angle Heyco
- 3 Wire Nut
- 4 Panel Mount Jack
- 5 Food Vessel, Heating Element
- 6 Spout Warmer, Heating Element
- 7 Ground Screw (Vessel)
- 8 Magnetic Switch
- 9 Thermostat
- 10 Thermal Cut-out
- 11 Rocker Switch
- 12 Ground Stud (Shroud)



Kit #85113 INCLUDES

PART#	DESCRIPTION
85112	Thermal cut out
85922	Aluminum foil tape