



# SERVER

**Server Products, Inc.**  
 3601 Pleasant Hill Road PO Box 98  
 Richfield WI 53076 USA  
 Direct | 262.628.5600 Toll Free | 800.558.8722  
 www.server-products.com

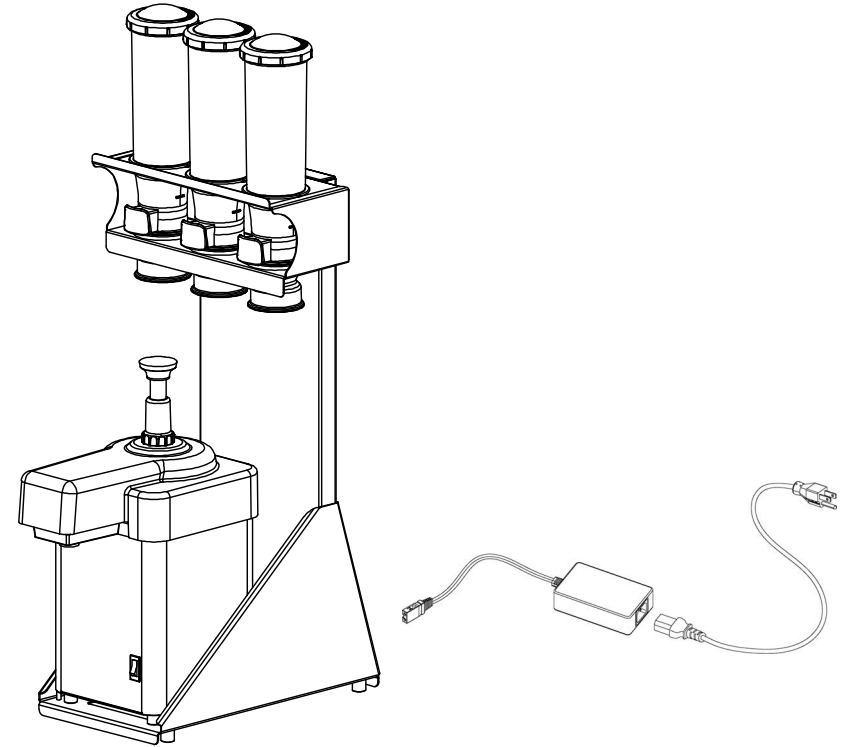
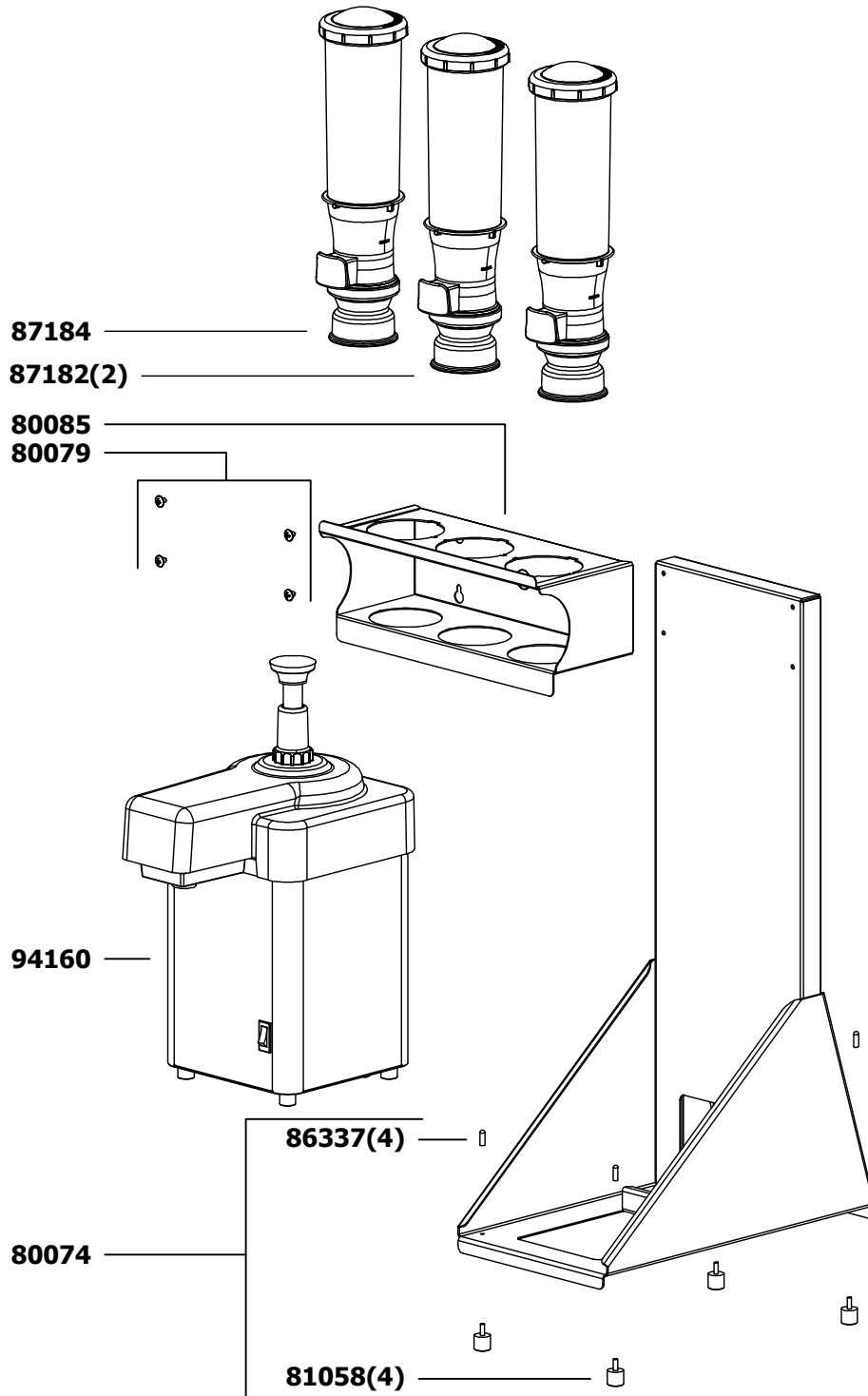
Model Name

**KIT, BEVERAGE STATION, TRIPLE 24 OZ**

Model Number

**80105**

Dwg. Date  
04/28/14



PART	QTY	DESCRIPTION
10028	4	SCREW, 10-32 X 1/4, PHIL TRUSS HD
10153	4	LOCKWASHER, #10, INTERNAL
80074	1	STAND ASSEMBLY, BEVERAGE STATION
81058	4	FOOT, W/SCREW
86337	4	CAP, PROTECTIVE, .125 x .500
80079	1	HARDWARE, BEV STATION (INCLUDES 10028 & 10153)
80085	1	SHELF, TRIPLE, BEV STAT, INSWEETEN
87182	2	INSWEETEN, 24 OZ, .31 TSP, BAGGED
87184	1	INSWEETEN, 24OZ, .7 TSP, BAGGED, WHT
94160	1	EZ-CREAM