



S E R V E R

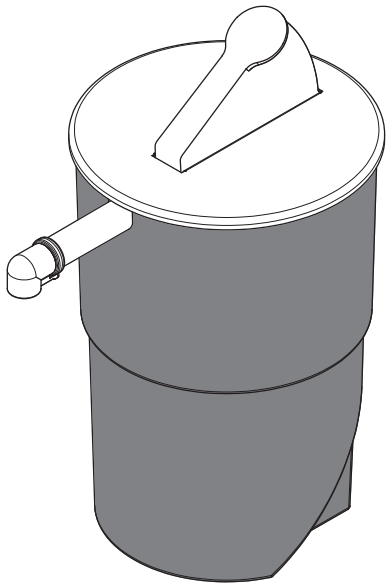
Server Products Inc.
3601 Pleasant Hill Road
Richfield, WI 53076 USA

262.628.5600 | 800.558.8722

SPSALES@SERVER-PRODUCTS.COM

07010

Server Express™ Round



*Complete View
for Reference*

LEVER
07014

HINGE PIN
(2)
07161

LID
07051

ROLLER
07056

PUMP
07794

DECAL SET
(Ketchup,
Mustard,
Mayonnaise)
07131

**LID
ASSEMBLY**
07052

11" BRUSH
82049

ROUND VESSEL
07047

