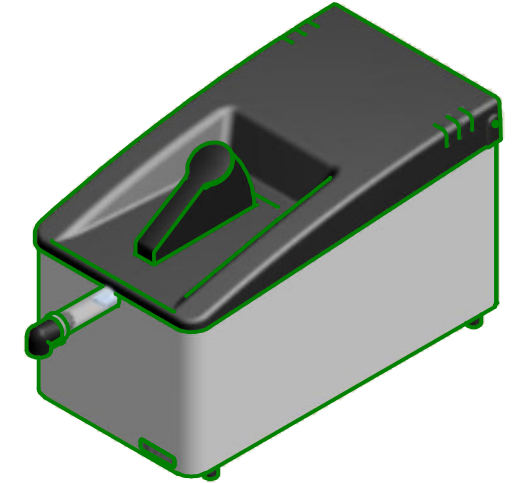
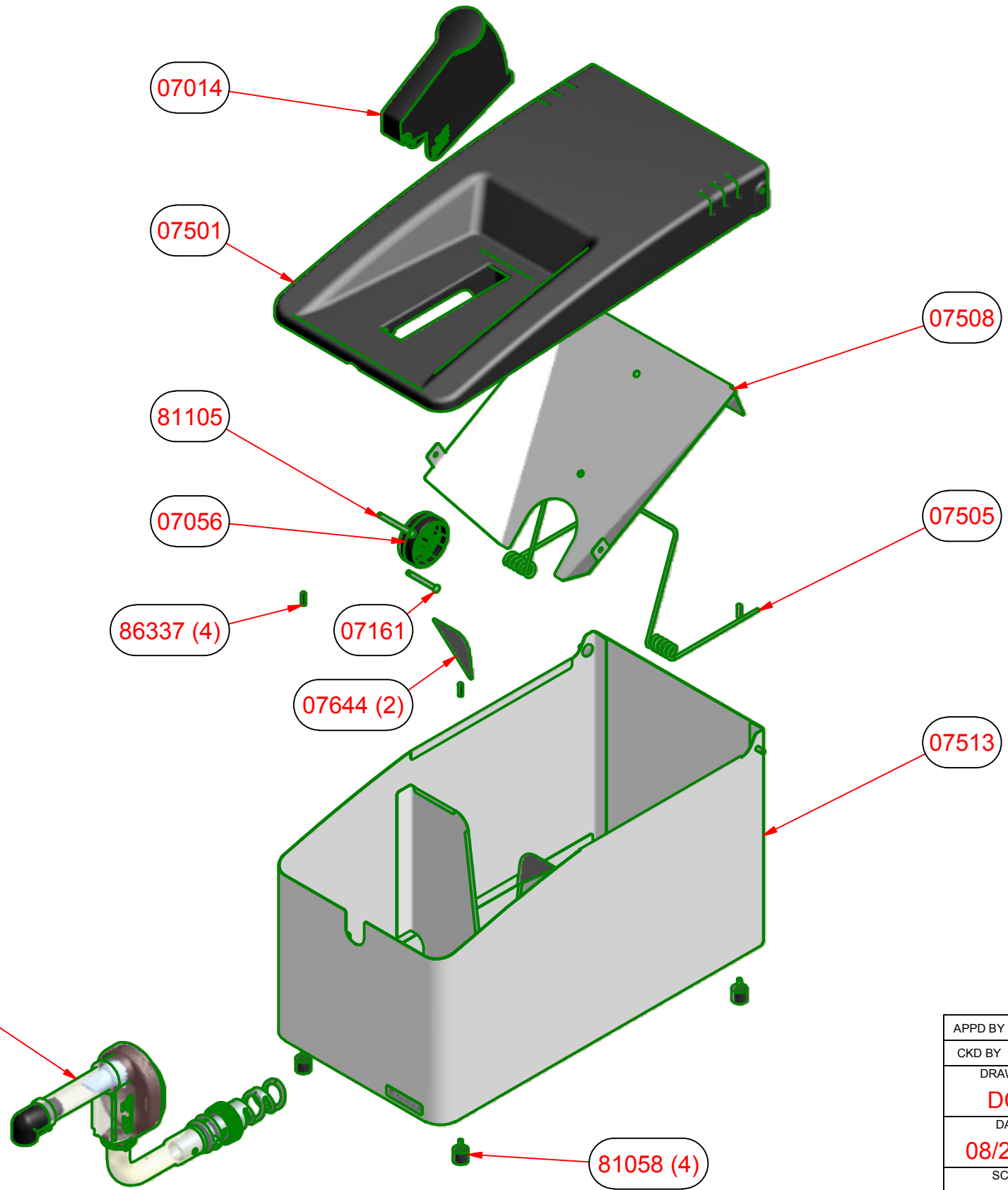


82049



| | | | |
|-----------|-----------------|------------------------------------------------------------------------|--------------|
| APPD BY | | MATERIAL: | |
| CKD BY | | TOLERANCES UNLESS OTHERWISE SPECIFIED | # |
| DRAWN BY | DCK | FRAC ±1/64 DEC .00=±.01 .000=±.005 ANG ±1° | § |
| DATE | 08/20/07 | Server Products, Inc RICHFIELD, WI 53076 USA 800-558-8722 | |
| SCALE | 3/4=1 | | |
| PART NAME | | EXTREME COUNTERTOP DISPENSER | SIZE DWG NO. |
| | | B | 07500 |