

# DIP DESSERTS. BOOST PROFITS.

## CONE DIP WARMER

Increase margins and add variety to your dessert selection – coat treats with up to three flavors

Hinged lid stays open for dipping convenience



Flange keeps cone dip container from moving and prevents dip from dripping



Low-temp heating element eliminates burning – no water-bath needed



1.800.558.8722  
 Outside USA: 1.262.628.5600  
 Server-Products.com



### CONE DIP WARMERS

Models DI-1, DI-2 & DI-3

#### Food Applications

- Dip ice cream cones, fruits, pretzels and other treats to add flavor variety
- Keeps up to three flavors of cone dip warm all day
- Perfect for LTO flavors and menu items

#### Fast Facts

Server's Cone Dip Warmer is the perfect piece of equipment to add a bit of variety to your menu – Adding dipped cones and other treats instantly adds value.

Built for convenience, the top and bottom are removable for cleaning, and the hinged lid stays open while dipping. The flange in the top cover keeps #10 cans or 2.8 L jars (not included) from sliding, and prevents dip from dripping into the vessel.



CONE DIP WARMERS  
 Models DI-1, DI-2 & DI-3

# TIME TO LAYER ON THE GOODNESS.

## CONE DIP WARMERS

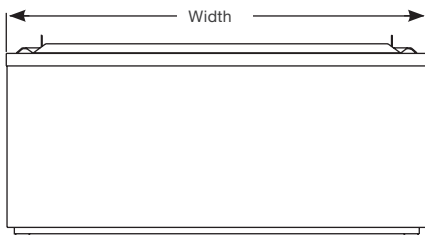
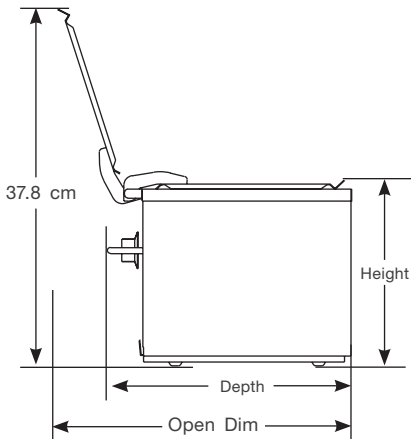
Models DI-1, DI-2 & DI-3

### Specifier Statement

Server Products Cone Dip Models DI-1, DI-2, and DI-3 are constructed of stainless steel with a hinged lid that stays open while dipping and removable top and bottom panels. The top features a flange to hold cone dip in place and prevent dripping into the unit. A tubular heating element is controlled by an adjustable thermostat and provides heat through natural convection. Temperatures range from 10°C to 66°C, marked as low or high. Capacity of #10 cans or 2.8 L stainless steel jars (not included) indicated by model number. NSF listed. C-UL-US listed. Two-year warranty. Ships FOB Richfield, WI 53076.

### Product Code

- (1) can Dip Warmer DI-1
- (2) can Dip Warmer DI-2
- (3) can Dip Warmer DI-3



### Specifications

Model	DI-1	DI-2	DI-3
	92070 Aust	92080 Aust	92090 Aust
	92010 Euro	92030 Euro	92050 Euro
	92230 UK	92240 UK	92250 UK
Capacity	(1) 2.8 L can or jar	(2) 2.8 L cans or jars	(3) 2.8 L cans or jars
Height	20.6 cm	20.6 cm	20.6 com
Width	19.4 cm	37.1 cm	55 cm
Depth	24.6 cm	24 cm	24 cm
Open Dim	29.4 cm	28.7 cm	28.7 cm
Electrical	208-240V 100W .8A	208-240V 120W 1A	208-240V 180W 1.5A
Weight	3.2 kg	4.1 kg	5.4 kg



### Accessory Items

- Stainless Steel Jar, 2.8 L 94009
- Storage Lid, Stainless Steel Jar 94008



Server Products, Inc. Outside of USA: 262.628.5600  
3601 Pleasant Hill Road | Richfield WI 53076  
international@server-products.com | server-products.com

Server Products, Inc. reserves the right to modify specifications without obligation.  
Printed in USA | © Server Products, Inc 08.2017 | S DI's International