

# SAVE WATER. SERVE BETTER.

## CONSERVEWELL™ UTENSIL HOLDER

Holds serving utensils above 140°F, keeping them safe against bacteria growth - environmentally smart and economically sound alternative to traditional dipper well perpetual-flow sinks

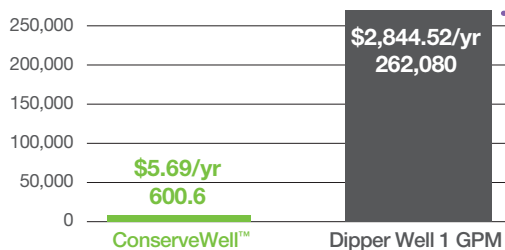
Convenient key slot mounting brackets make removal for cleaning quick and easy, mounts to a wall or sturdy vertical surface



Keep your serving utensils handy in (2) 1/9-size pans 4" deep

Programmable countdown timer helps ensure timely water changeouts; **also available without timer**

### GALLONS PER YEAR\*



\*52 weeks at 7 days per week at 12 hours per day.  
Average water and sewer rate of \$9.48 per 1,000 gal.



1.800.558.8722  
ConserveWell-NotDipperWell.com



CONSERVEWELL™  
Model CW

### Application

- Replace a traditional dipper well perpetual-flow sink to save water, energy and money
- Mount next to a serving station to keep utensils clean and handy

### Fast Facts

Environmentally friendly method of protecting utensils against bacteria growth versus traditional dipper wells; one unit can save over 250,000 gallons of water per year.

The ConserveWell™ keeps (2) 1/9-size pans of serving utensils above 140°F, keeping them safe while saving water, energy and money.

Unit is mountable to a wall or sturdy vertical surface using key slot holes on back plate.



CONSERVEWELL™ UTENSIL HOLDER Model CW

# CLEAN HAS NEVER BEEN MORE GREEN.

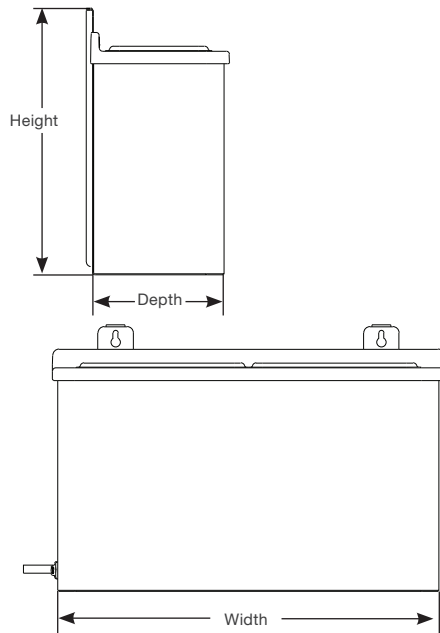
## CONSERVEWELL™ Model CW

### Specifier Statement

Unit will be a Server Products Model CW ConserveWell™ designed to hold utensils above 140°F as an alternative to a perpetual-flow dipper well. Unit comes with (2) stainless steel 1/9-size pans 4" deep and is mountable to a wall or sturdy vertical surface using key slot holes on back plate. Models available with and without adjustable countdown timer. Timer model has an LED display and a volume adjustable alarm for water changeout notifications. When changing out water, be sure to fill each pan with 3/4 qt (3 cups) warm tap water. For use with plastic handled utensils and non-gel-filled dishers. NSF listed. C-UL-US listed. Two-year warranty. Made in the USA. Ships FOB Richfield, WI 53076.

### ConserveWell™ Product Codes

- ConserveWell™ with Timer CW 87750
- ConserveWell™ without Timer CW 87740
- 1/9-size pan, 4" CW models hold (2) 1/9-size pans 90106



### Specifications

Part Number	Dimensions (height x width x depth)	Capacity	Weight (with water in pans)	Electrical
87750	10 5/8" x 15 1/4" x 5 1/4" 27 x 38.7 x 13.3 cm	(2) 1/9-size pans 4" (150 mm) deep	19 lbs 8.6 kg	120V 400W
87740	7 5/16" x 15 1/4" x 5 1/4" 18.6 x 38.7 x 13.3 cm		15 lbs 6.8 kg	3.3A

 Plug is NEMA 5-15P with 72" (183 cm) or 108" (274 cm) cord



### Related Item

Another option for replacing a traditional dipper well perpetual-flow sink is the Drop-In model that fits into most existing counter cut-outs. Unit includes (1) stainless steel inset and is available with or without a countdown timer.

- ConserveWell™ Drop-In with Timer CW-DI 87770
- ConserveWell™ Drop-In without Timer CW-DI 87760



CW-DI 87770

