



EZ-CREAM™ DAIRY DISPENSER

Model CSP



EZ-CREAM™ CSP 94160 $\frac{5}{16}$ oz (9.2 mL)



BID DESCRIPTION

The EZ-Cream™ Dairy Dispenser utilizes thermoelectric technology to chill a 2 quart (1.9 L) vessel. An integrated discharge tube chiller ensures dairy product is kept at a safe serving temperature for the entire holding and serving process.

The unit is constructed of a stainless steel base with brushed finish, an insulated plastic lid, an anodized aluminum serving vessel and stainless steel pump. The pump is preset for a $\frac{5}{16}$ oz (9.2 mL) serving (equivalent to common creamer tubs) and adjustable in $\frac{1}{8}$ oz (3.7 mL) increments with a maximum stroke of 1 oz (30 mL).

Thermoelectric (solid-state) chillers have no compressor, offer big space savings and are extremely energy efficient. In operation, the EZ-Cream™ holds dairy consistently below 41°F (5°C) in up to 86°F (30°C) ambient temperature. A lighted on/off rocker switch controls the cooling mechanism.

STANDARD FEATURES

- NSF listed for potentially hazardous food including dairy; NSF Standard 18 & 20
- Discharge tube chiller ensures food stays at a safe serving temperature throughout the serving process
- Stainless steel pump preset for $\frac{5}{16}$ oz (9.2 mL) portion (equivalent to common creamer tubs); quickly serves dairy where you need it, like the drive-thru window
- Thermoelectric operation assures quiet and efficient operation
- Specialized valve helps prevent dairy product from splashing
- Holds consistently below 41°F (5°C) to keep your dairy safe
- Includes 5 vent filters, 2 pump cleaning brushes and a tube of food equipment lube
- Removable anodized aluminum 2 qt (1.9 L) serving vessel
- 7 foot (2.1 m) power cord with 120V power supply converts 1 Amp AC to 12V DC

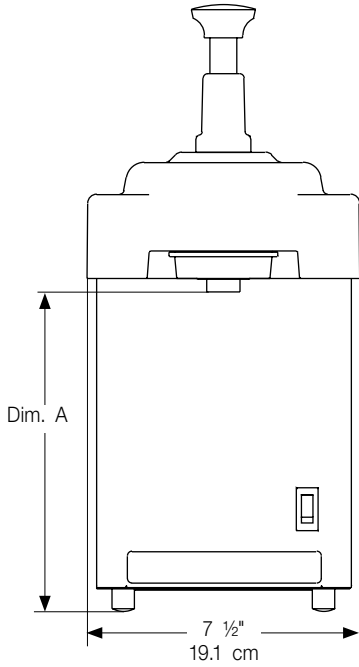
ACCESSORY ITEMS

- $\frac{5}{16}$ oz (9.2 mL) Preset Pump Only 94150
- Replacement Vent Filter (5 pk) 86067

EZ-CREAM™ DAIRY DISPENSER

Model CSP

EZ-CREAM™ CSP 94160



MODEL	EZ-CREAM™ CSP 94160 Preset to $\frac{5}{16}$ oz (9.2 mL)
Capacity	2 qt 1.9 L
Height	16 $\frac{11}{16}$ " 42.4 cm
Width	7 $\frac{1}{2}$ " 19.1 cm
Depth	11 $\frac{3}{8}$ " 28.9 cm
Dim. A	8 $\frac{13}{16}$ " 22.4 cm
Weight	13 lb 5.9 kg
Electrical	Power supply converts 120V 1 Amp AC to 12V DC power with 7' (2.1 m) power cord NEMA, 15A, 125V PLUG

FOB RICHFIELD, WISCONSIN 53076

