

SERVER®

• E S S E N T I A L S •

Specialty Warmer IntelliServ® Food Pan Warmer | Export

SPECIFICATION SHEET

FAST FACTS

The IntelliServ® Warmer is an end-operated, water-bath warmer that is ideal for effective kitchen placement while digital temperature control ensures accurate heating and holding – to the last serving.

APPLICATIONS

- Great for difficult to hold products such as chocolate, alfredo and hollandaise sauce that require precise temperature control
- Open design adapts to menu changes for topping, finishing or plating with ladles, pumps or squeeze bottles

DETAILS

- Warm up to 5.7 Liters in 20 cm of countertop space
- Digital temperature control ensures accurate holding of delicate soups and sauces; display provides instant feedback of heat setting and status
- Modular design holds (1) 1/3 -, (2) 1/6 - or (3) 1/9 -size food pans up to 150-mm deep
- NSF listed rethermalizer – quickly heats to a safe serving temperature before bacteria has an opportunity to grow
- Cool-touch rim protects staff from typical hot-zone risks when switching pans out



Shown: 1/6-pans and ladles



Shown: 1/6-pans and FP-1/6 pumps



IS-1/3
86338 EURO
86341 UK

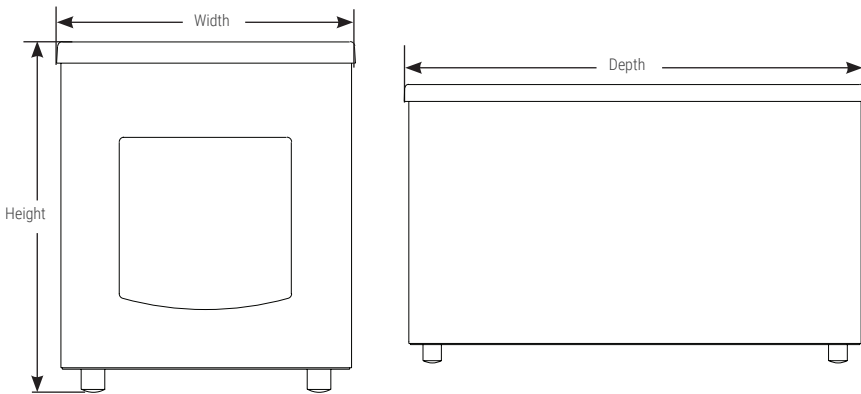


Smart food warmers
serve fresh all day long.
Adapt for topping, finishing or
plating with ladles, pumps
or high-temp squeeze bottles.

Everything you need and more, in less.

INTELLISERV® WARMER MODEL: IS-1/3

Server IntelliServ® Warmer model IS-1/3 is an end-operated, countertop warmer. This water-bath, food-pan warmer with digital temperature control (F°/C°) is constructed of stainless steel with a thermoset plastic water vessel and cast aluminum heat plate. This NSF-listed rethermalizer holds up to 5.7-L in (1) 1/3-size, (2) 1/6-size, or (3) 1/9-size food pans, 150 mm deep and can be configured to serve with ladles or pumps (sold separately). NEMA 5-15P plug with 183 cm power cord. 2-year warranty.



FOOD PAN WARMER

order amt	model/item	plug	description	capacity	dims (H x W x D)	electrical	watts	weight
<input type="checkbox"/>	IS-1/3 86338 86341	EURO UK	1/3-size food pan warmer, countertop	up to 5.7 L; using 1/3-size, 150 mm deep food pan	23.7 x 20.2 x 39.1 cm	230 V AC 4.2 A	500	7.7 kg



ACCESSORY ITEMS

order amt	item	description	order amt	item	description
<input type="checkbox"/>	86312	FP-1/6 pump, 30 mL (fits 150-mm deep pan)	<input type="checkbox"/>	90089	1/6-size, 150 mm deep, 2.6-L pan
<input type="checkbox"/>	87213	stainless steel ladle, 15-cm, 30 mL	<input type="checkbox"/>	90094	1/6-size pan lift-off lid
			<input type="checkbox"/>	90106	1/9-size, 100 mm deep, 1-L pan

SERVE FRESH ALL DAY LONG WITH INTELLISERV® WARMERS
SERVER-PRODUCTS.COM | 262.628.5600