

SERVER

• E S S E N T I A L S •

Twin Warmers Twin Topping Warmers

SPECIFICATION SHEET

FAST FACTS

Twin Topping Warmers keep toppings, dipping sauces and gravies at peak flavor with individual temperature control and even heating. Serve from #10 food cans or 3 qt jars with pumps, ladles or both.

APPLICATIONS

- Twin water-bath wells heat sweet and savory toppings to the ideal temperature from the first serving to the last
- Models with portion-controlled pumps for truly consistent servings, ladles for thick and chunky sauces or one of each

DETAILS

- Independently warm and serve two #10 topping cans or 3 qt jars in only 17" of countertop
- Dips, sauces and gravies are served at their peak flavor with temperature-controlled thermostats to turn each wrap-around heating element on or off as needed
- Water fill lines eliminate overflow accidents
- Serve with stainless steel pumps, ladles or one of each; pump dispenses 1 oz max and adjusts in 1/8 oz increments
- Coordinate pump or lid knobs with store theme or contents within; specify color and text when ordering
- Adaptable to hold a Squeeze Bottle Inset Kit 86819 with (3) 16 oz bottles.



Twin FS/FSP 81290

Twin FSP 81230

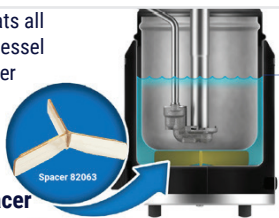


Twin FS 81220



Critical to Proper Operation | Water-Bath Spacer 82063 (included)

Water heats all sides of vessel with spacer



With Spacer

Spacer prevents water overflow into the food



Without Spacer



FS Option: SST Jar 94009 & Storage Lid 94008



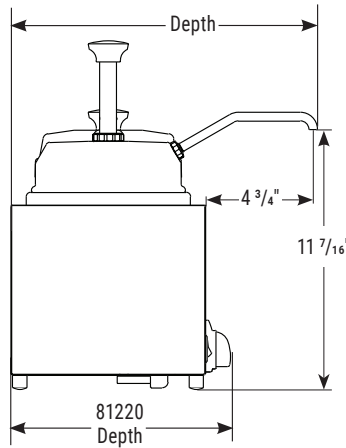
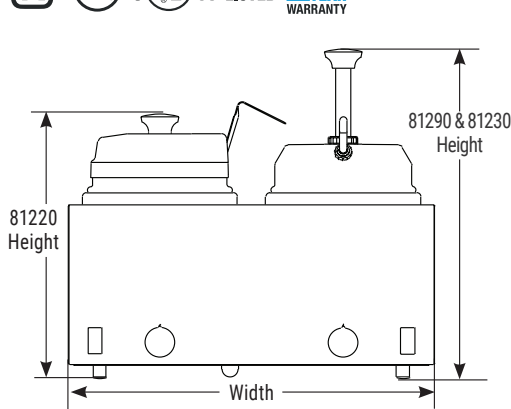
Option: Squeeze Bottle Inset Kit 86819; Single Bottle 86809

SERVER
INTELLIGENT BY DESIGN

Even heating. Even better toppings.

TWIN TOPPING WARMER MODELS: TWIN FS/FSP | TWIN FSP | TWIN FS

Server Twin Topping Warmers are a stainless steel, rethermalizing water-bath warmer. Each well is powered individually by an ON/OFF rocker switch with temperature settings on the knob. Temperature-sensing thermostats control each 500-watt, wrap-around heating element, turning it off and on as needed. TWIN FS/FSP includes (1) stainless steel pump 81320 to dispense 1 oz servings, reduces in 1/8 oz increments, plus (1) 1 oz ladle 82561, lid 82509 and adapter ring 82507. Twin FSP includes (2) pumps. Twin FS includes (2) ladles, lids and adapter rings. Each hold (2) #10 food cans or 3 qt jars (94009 jar sold separately). 120V AC 8.3-A, 1000 Watts, NEMA 5-15P plug with 72 in power cord. 2-year warranty.



TOPPING WARMERS

order amt	model/item	description	capacity	dims (H x W x D)	plug	electrical	watts	weight
<input type="checkbox"/>	Twin FS/FSP 81290	twin warmer with pump 81320 plus ladle 82561, lid 82509 & adapter ring 82507		15 5/16" x 17" x 13 1/2"				17 lb
<input type="checkbox"/>	Twin FSP 81230	twin warmer with (2) pumps 81320	(2) #10 cans or 3 qt jars 94009 (not included)	15 5/16" x 17" x 13 1/2"		120 V AC 8.3 A	1000	18 lb
<input type="checkbox"/>	Twin FS 81220	twin warmer with (2) ladles 82561, lids 82509 & adapter rings 82507		12 5/16" x 17" x 9 5/8"				17 lb

ACCESSORIES

order amt	item	description	order amt	item	description
<input type="checkbox"/>	94009	stainless steel 3 qt jar	<input type="checkbox"/>	86819	squeeze bottle inset kit with (3) 16 oz, high-temp bottles
<input type="checkbox"/>	94008	abs plastic, jar storage lid	<input type="checkbox"/>	86809	16-oz squeeze bottle, high-temp
<input type="checkbox"/>	82063	water-bath spacer			
<input type="checkbox"/>	81320	topping pump			
<input type="checkbox"/>	82561	10" ladle, 1 oz			

KEEP YOUR MENU FRESH & FUN WITH TWIN TOPPING WARMERS

SERVER-PRODUCTS.COM | 800.558.8722 | 262.628.5600