

SERVER

• E S S E N T I A L S •

Topping Warmer Food Server with Pump | Export

SPECIFICATION SHEET

FAST FACTS

FSP Warmers precise temperature control, even heat and accurate portioning ensures more warm dessert topping is served from each 2.8 L jar or #10 topping can.

APPLICATIONS

- Indulge your menu with heated dessert sauces like hot fudge, creamy caramel or white chocolate; served with consistent portions for the ideal presentation, every time
- Adaptable base converts to serve with a ladle from a #10 can or stainless steel jar (accessory - 94009) or into a Signature Touch™ Squeeze Bottle Warmer

DETAILS

- The classic FSP stainless steel water-bath warmer and pump defines Server Essentials in just 20.3 cm of countertop
- Toppings and sauces are served at their peak flavor with a temperature-controlled thermostat to turn the wrap-around heating element on or off as needed
- Portion-control pump manages serving sizes of expensive ingredients; serve 30 mL max, adjustable in 3.7 mL increments
- Serve from a 2.8 L Jar 94009 (recommended) or #10 topping can
- Coordinate pump knob with store theme or contents within; specify color and text when ordering



Thermostat Knob



Optional:
Squeeze
Bottle Inset
Kit 86819

Spacer 82063 (included)
Critical to Proper Operation



SERVER
INTELLIGENT BY DESIGN

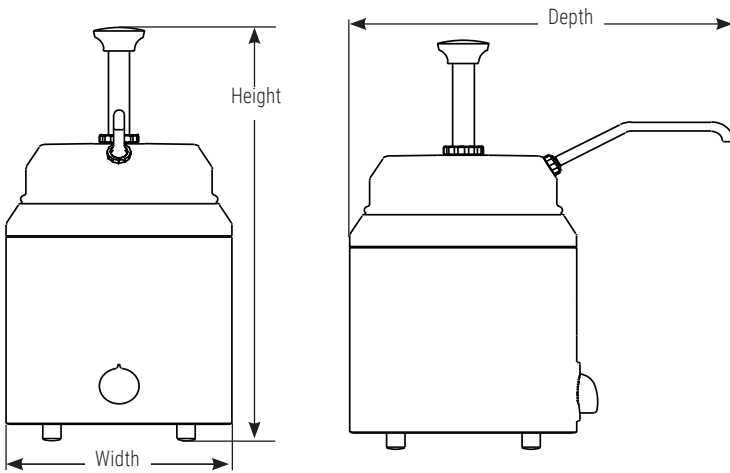
Optional: Stainless Steel Jar 94009
& Storage Lid 94008



Even heating. Even better toppings.

TOPPING WARMER WITH PUMP MODEL: FSP

Server model FSP is a stainless steel, rethermalizing water-bath warmer with pump. An adjustable, temperature-sensing thermostat controls the 500 watt, wrap-around heating element, turning it off and on as needed. Temperature settings are marked on the thermostat knob and an ON/OFF rocker switch controls power. Unit dispenses from a #10 can or 2.8 L stainless steel jar 94009. Maximum portion yields 30 mL; reduces in 3.7 mL increments. 230 AC 4.2 A, 500-Watts. NSF listed, pump is clean-in-place certified. Two-year warranty.



TOPPING WARMER

order amt	model/item	description	capacity	dims (H x W x D)	plug	electrical	watts	weight
<input type="checkbox"/>	FSP 82110	topping warmer with pump	#10 can, 2.8 L jar	40.64 x 19.7 x 33.2 cm		230 V AC 4.2 A	500	4.5 kg
<input type="checkbox"/>	FSP 84580							

ACCESSORY ITEMS

order amt	item	description
<input type="checkbox"/>	94009	stainless steel 2.8 L jar
<input type="checkbox"/>	94008	abs plastic, jar storage lid
<input type="checkbox"/>	86819	squeeze bottle inset kit with (3) 473 mL, high-temp bottles

ADDING INDULGENCE TO YOUR MENU BEGINS WITH FSP
 SERVER-PRODUCTS.COM | 262.628.5600