

# SERVER®

• E S S E N T I A L S •

## Soup Warmers Single Insets

SPECIFICATION SHEET

### FAST FACTS

NSF listed Single Inset rethermalizers heat food quickly to a safe serving temperature, retain an accurate even temp all day long and preserve food quality and flavor by collecting and returning condensation captured by the hinged lid

### APPLICATIONS

- Hold soups at the perfect temperature, from delicate cream-based soups to hearty stews and chili
- Great for heating proteins and other foods

### DETAILS

- Compact rethermalizing warmers keep soups, proteins and other foods at the perfect temperature from the first serving until the last
- Larger capacity leaves room to stir
- FS-7 and FS-11 handles assist in opening larger lids ergonomically – no more reaching over steam
- Precise temperature control and accurate, even heat eliminates wasted servings – no scorching as product depletes



FS-4 Plus 81000

FS-7 84000



FS-11 84100



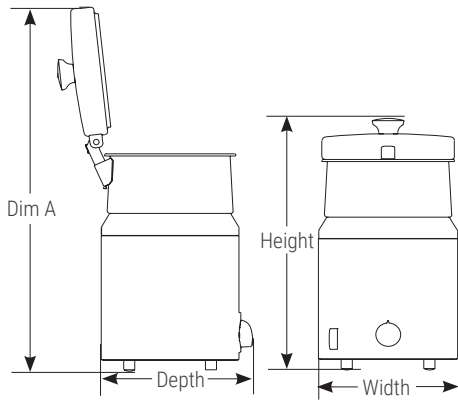
Food retains  
flavor and quality  
– the moisture-  
conserving  
lid returns  
condensation  
back to food



## Purposefully made to last.

### SOUP WARMERS MODELS: FS-4 PLUS, FS-7 & FS-11

Server models FS-4, FS-7 and FS-11 Rethermalizing Soup Warmers are a series of round, water-bath cookers/warmers constructed of stainless steel. Includes inset and lid assemblies. Hinged, moisture-conserving lid remains upright while ladling, and collects and returns moisture to food. An adjustable thermostat controls the wraparound heating element, and temperature settings are marked on the knob; The FS-4 Plus has a 5 quart inset and uses 500 watts of power, the FS-7 has a 7 quart inset and uses 1000 watts, and the FS-11 has an 11 quart inset and uses 1500 watts. Plug is NEMA 5-15P with 72" cord. NSF listed. Rethermalizer. C-UL-US listed. Two-year warranty.



### ACCESSORY ITEMS

order amt	item	description	order amt	item	description
<input type="checkbox"/>	<a href="#">81111</a>	5 qt inset & lid assembly	<input type="checkbox"/>	<a href="#">82661</a>	6 oz ladle
<input type="checkbox"/>	<a href="#">84040</a>	7 qt inset & lid assembly			
<input type="checkbox"/>	<a href="#">84149</a>	11 qt inset & lid assembly			

order amt	model/item	description	capacity	dims (H x W x D)	dim A	weight	plug	voltage	watts/amps
<input type="checkbox"/>	<a href="#">FS-4+ 81000</a>	inset warmer	5 qt	14 7/8" x 7 3/4" x 8 1/2"	20 7/8"	9 lb	 USA		500W 4.1A
<input type="checkbox"/>	<a href="#">FS-7 84000</a>	inset warmer	7 qt	14 1/8" x 9 9/16" x 11"	22 11/16"	13 lb		120AC	1000W 8.3A
<input type="checkbox"/>	<a href="#">FS-11 84100</a>	inset warmer	11 qt	14 1/2" x 11 9/16" x 13"	24 13/16"	16 lb		1500W 12.5A	

### RELATED ITEMS

FS-4 Plus can be fitted with a squeeze bottle inset so you can add a special touch to a dessert or specialty item.

86811 Squeeze Bottle Insert Kit



86809 Single Squeeze Bottle, high density, 16 oz



REDUCE WASTE AND RETAIN TASTE WITH SERVER SOUP WARMERS  
 SERVER-PRODUCTS.COM | 800.558.8722 | 262.628.5600