

THE EPITOME OF VERSATILITY.

FSPW SUPREME™

Reduce operating costs and improve flavor consistency - dispense precise, adjustable portions of heated fudge, caramel and cheese

Protects product - temperature-sensing thermostat prevents burning, and lid retains moisture



Spout heater keeps toppings inside warm and fluid

Merchandising magnets provide quick product identification



SUPREME™ MERCHANDISERS Model FSPW

Food Applications

- Top desserts with fudge or caramel
- Dose precise portions of cheese sauce for nachos, pretzel bits, cheese dogs, and more
- Jar accessory is perfect for operations with homemade toppings

Fast Facts

An NSF listed rethermalizer, Server's Supreme™ Hot Topping Merchandiser quickly and evenly heats toppings to a safe serving temperature without scorching product around container edges.

Portion Optimization keeps food costs low by minimizing waste and inconsistent servings while providing consistent flavors every day at each of your locations. Max 30 mL portions reduce in 3.7 mL increments.



Additional cheese sauce and caramel magnets



1.800.558.8722
Outside USA: 1.262.628.5600
Server-Products.com

SUPREME™ HOT TOPPING MERCHANDISERS
Model FSPW

WHAT A SWEET 3-IN-1 DEAL.

SUPREME™ HOT TOPPING MERCHANDISERS

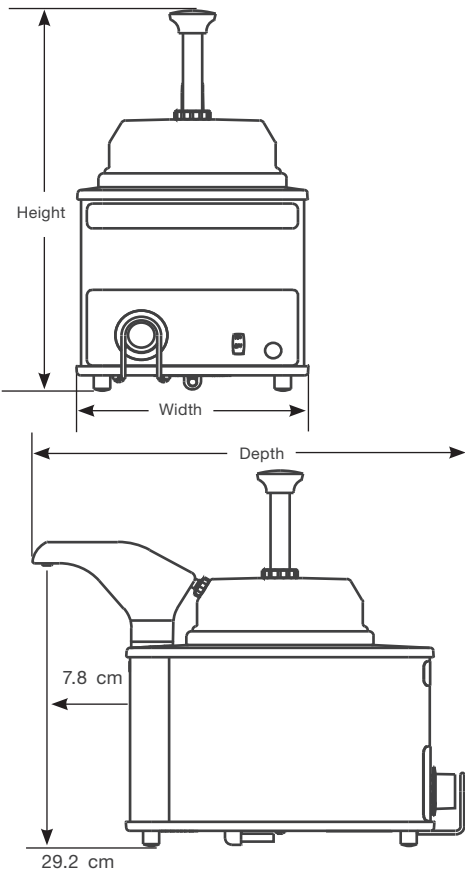
Model FSPW

Specifier Statement





Server Products model FSPW Hot Topping Merchandiser is constructed of a stainless steel body with black thermoset plastic bottom and top. Includes (3) magnetic merchandising: Caramel, Fudge and Cheese. Pump dispenses directly from manufacturer's #10 can or 2.8 L stainless steel jar (can sold separately) in 30 mL max portions adjustable in 3.7 mL increments. NSF listed. C-UL-US listed. Two-year warranty. Ships FOB Richfield, WI 53076.

Supreme™ Product Code

FSPW Supreme™ FSPW-SS



Specifications

Part Number	Capacity	Dimensions (height x width x depth)	Weight	Electrical
 Aust 83694	#10 Can 2.8 L Jar	39.2 x 22.7 x 39.4 cm	6.8 kg	230V
 Euro 80840				517W
 UK 83697				4.3A
				Single Phase 50/60Hz
 Brazil 86947	#10 Can 2.8 L Jar	39.2 x 22.7 x 39.4 cm	6.8 kg	230V 515W 2.2A Single Phase 50/60Hz



Accessories

- Magnet Replacement Kit 86749
- 2.8 L stainless steel jar 94009



Server Products, Inc. Outside of USA: 262.628.5600
3601 Pleasant Hill Road | Richfield WI 53076
international@server-products.com | server-products.com

Server Products, Inc. reserves the right to modify specifications without obligation.
Printed in USA | © Server Products, Inc 08.2018 | S FSPW International