

SERVER®

• E S S E N T I A L S •

Tiered Stations WireWise® Organizers & Station

SPECIFICATION SHEET

FAST FACTS

WireWise® organizers and stations neatly tier/arrange bottles, jugs, jars or packaged foods on a lightweight, durable frame all while saving space and enhancing operational efficiency

APPLICATIONS

- Maximize counter space in guest and operator areas
- Holds (3) common bottles, jugs or jars depending on model chosen

DETAILS

- Save countertop space with tiered organizers that can hold up to (3) of the following: 1L syrup bottles, 64 oz square jugs, and 1 gal jugs
- Add reusable, portion-control Eco Pumps™ to bottles or jugs for a cost-effective and environmentally friendly alternative to disposable pumps (sold separately)
- Attractive wire frame is lightweight yet built to last
- Non-skid, removable rubber feet
- Station includes (3) each of: 41 oz jars, clear lids and serving spoons



ORGANIZERS



88652



88656



88654

STATION

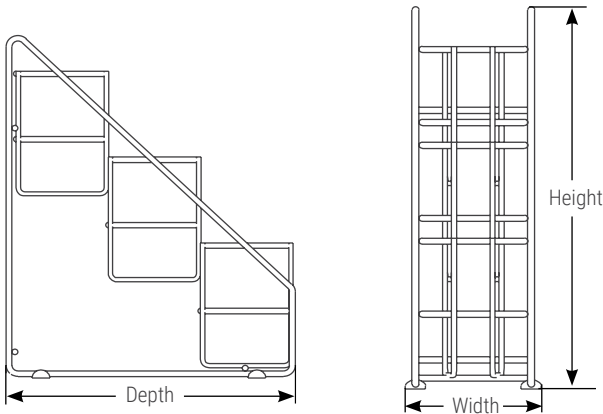


88711

More satisfaction in way less space

WIRESWISE® ORGANIZER MODEL: WW

Server model WW Organizers hold (3) common bottles or jugs (sold separately) depending on model chosen. Wire-frame design is powder coated, and include (4) non-skid rubber feet. Reusable, portion-control pumps shown are sold separately. Pumps are NSF listed, clean-in-place certified. BPA Free. Two-year warranty.



order amt	model/item	description	holds/capacity	dimensions (H x W x D)	weight
<input type="checkbox"/>	WW-3_1L 88652	bottle organizer up to 1 L	(3) 1 L bottles	15 11/16" x 5" x 12 1/4"	4 lb
<input type="checkbox"/>	WW-3_1 gal 88654	1 gal jug organizer	(3) 1 gal jugs	16 1/2" x 6 3/8" x 19 3/4"	5 lb
<input type="checkbox"/>	WW-3_64 oz 88656	64 oz square jug organizer	(3) 64 oz jugs	15 3/8" x 5 5/8" x 16 1/2"	5 lb

RELATED ITEMS

88716 Link Kit
Clip two or more organizers together to form one. Each kit comes with 4 clips.

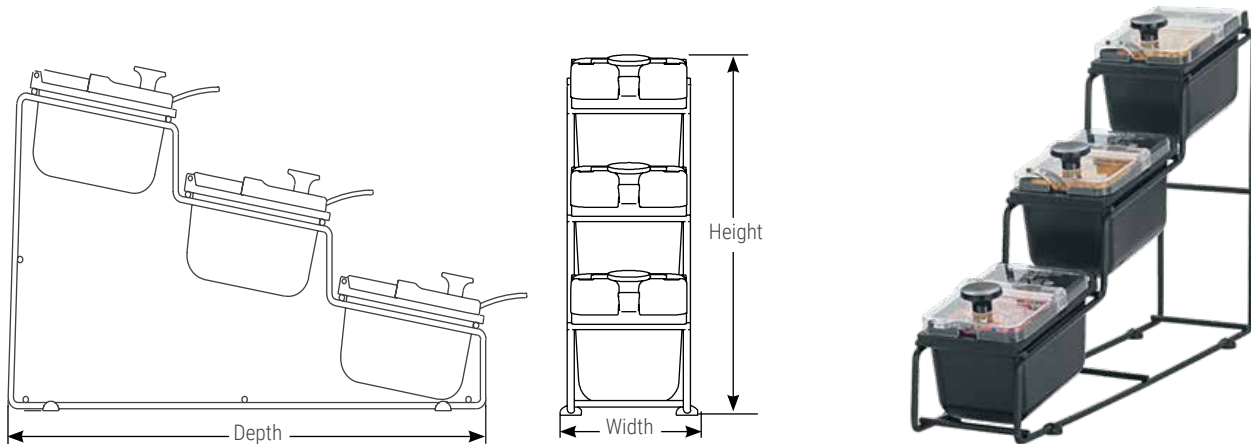
Eco Pumps™
Save money and resources with durable, reusable Eco Pumps™.

SERVE MORE SATISFACTION IN LESS SPACE WITH WIRESWISE® STATIONS AND ORGANIZERS
SERVER-PRODUCTS.COM | 800.558.8722 | 262.628.5600

More satisfaction in way less space

WIRESWISE® STATION WITH 1/9-SIZE JARS MODEL: WW

Server model WW includes (3) 1/9-size, black jars; clear, hinged lids; and 1/2 oz 4" ladles. Wire frame is powder coated and includes (4) non-skid rubber feet. Two-year warranty.



order amt	model/item	description	holds/capacity	dimensions (H x W x D)	weight
<input type="checkbox"/>	WW-3 1/9 88711	WireWise® Station w/ jars, lids & spoons	(3) 41 oz, 1/9 - size jars	13 11/16" x 4 13/16" x 22 3/8"	5 lb

RELATED ITEMS

[1/9 - Size Jars](#)

Increase your holding capacity with 60 oz jars in black or orange (to indicate allergens). Tier 1 only accepts 41 oz jar (not shown).



[1/9 - Size Jar Lid](#)

Easily monitor fill levels and showcase contents. Hinged lid attaches securely to jar.



SERVE MORE SATISFACTION IN LESS SPACE WITH WIRESWISE® STATIONS AND ORGANIZERS
SERVER-PRODUCTS.COM | 800.558.8722 | 262.628.5600