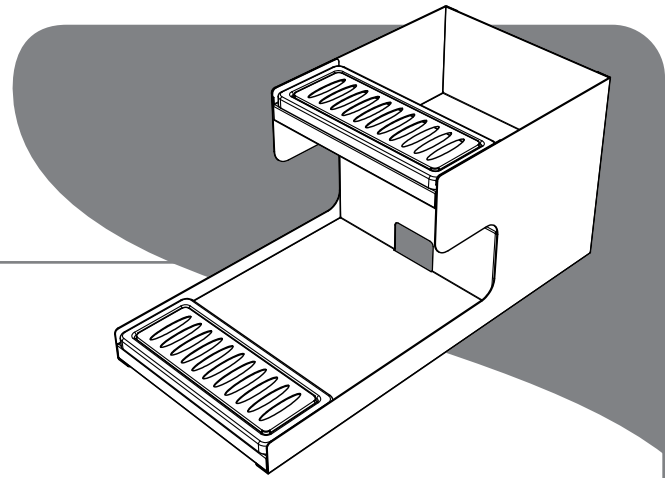




# SERVER



## EZ-Topper™ & Server Express™ Stand

87851

### 1 WASH ALL PARTS

before use.

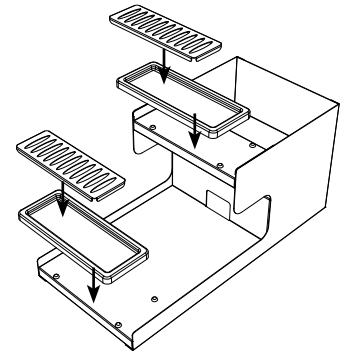
Wipe daily with a clean damp cloth.

Dry with a clean soft cloth.

Glass and surface cleaners approved for use in food contact areas may be used.

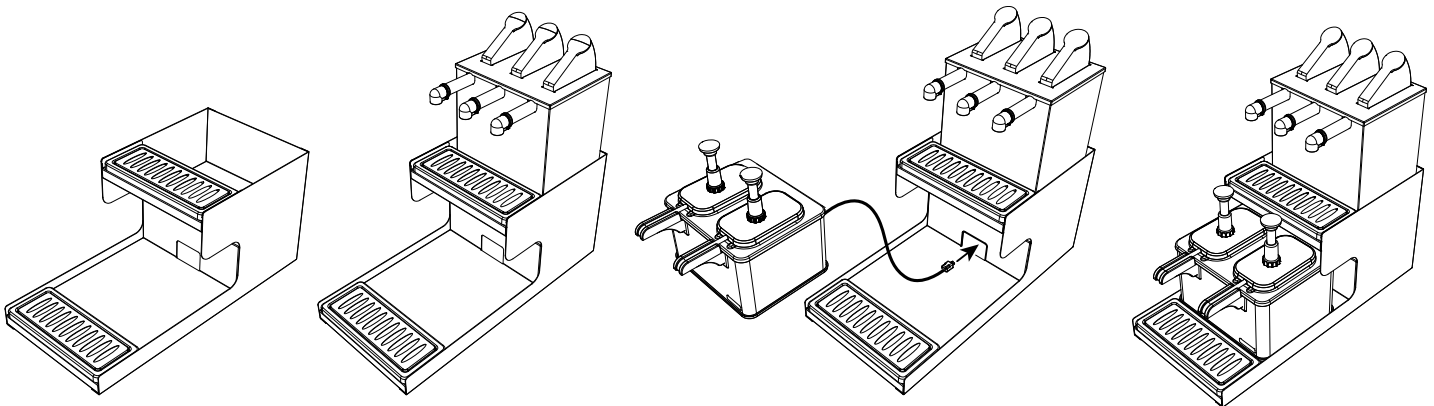
Refer to separate manuals for any equipment being used in stand.

### 2 INSTALL DRIP TRAYS



### 3 INSTALL EQUIPMENT ONTO STAND

Insert cord through hole in back of stand.



**Server Products Inc.**  
3601 Pleasant Hill Road  
Richfield, WI 53076 USA



262.628.5600 | 800.558.8722



[SPSALES@SERVER-PRODUCTS.COM](mailto:SPSALES@SERVER-PRODUCTS.COM)



[WWW.SERVER-PRODUCTS.COM](http://WWW.SERVER-PRODUCTS.COM)

Instruction Sheet 01768-RevA 091015