



S E R V E R

SERVE BETTER™



## Eco Pump™

MODEL: BP-1

FOR CARAMEL MOCHA

**0.33 fl oz portion**

**71199**

Server 88398

**0.50 fl oz portion**

**71200**

Server 88397

FOR BOTTLES

**0.33 fl oz portion**

**71192**

Server 87971

**0.50 fl oz portion**

**71193**

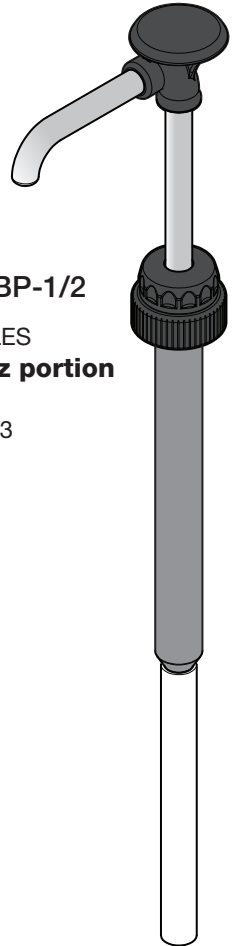
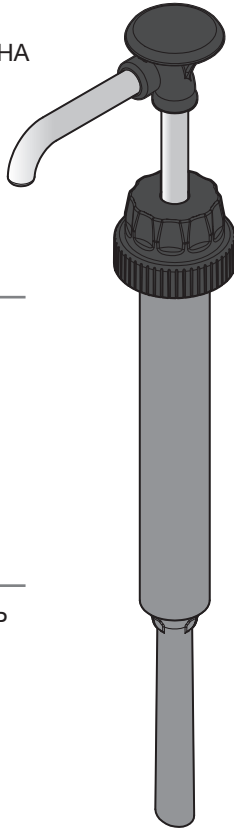
Server 87972

FOR INFUSION PUMP

**0.33 fl oz portion**

**71201**

Server 87996



MODEL: BP-1/2

FOR BOTTLES

**0.375 fl oz portion**

**71194**

Server 87973

## Thank You

...for purchasing our Eco Pump™.  
This quality, NSF listed pump delivers  
precise portions and is a reliable alternative  
to the constant expense of disposable pumps.

CONSISTENT PORTIONS—SERVE BETTER

# PARTS

## HEAD ASSEMBLY

DISCHARGE TUBE

LOCKING COLLAR

PISTON

SEAL

PINCH VALVE

Portion Size marked on top.

EXAMPLES:

"0.375 BP"  
indicates 0.375 fl oz Bottle Pump.

"0.50 CM"  
indicates 0.5 fl oz Caramel Mocha.

"0.33 IP"  
indicates 0.33 fl oz Infusion Pump.

GAGING COLLAR

Collar snaps onto head assembly to set proper portion size.

Portion Size marked on collar.

SPRING

FOOD EQUIPMENT LUBRICANT 40179

21" BRUSH 82526

(BP-1 Pumps also include 11" brush 82049)

## CYLINDER ASSEMBLY

CAP

CYLINDER

STAINLESS STEEL BALL

(Ball snaps inside cylinder and can always remain installed, even during cleaning.)

Pump 87973 includes

EXTENSION TUBE

Add to bottom of Cylinder Assembly to extend length.

PARTS

BP-1 PUMPS

BP-1/2 PUMP

71192 (87971),  
71193 (87972),  
71199 (88398),  
71200 (88397),  
71201 (87996)

SEAL	83005	88162
PINCH VALVE	88202	88188
SPRING	88166	88233
CAP	88016	88213
S. STEEL BALL	06022	88258
CYLINDER	88247*	88231

\*Pump 71201 uses Cylinder 87997

# SAFETY



According to food and safety regulations, most foods must be stored and/or served at certain temperatures or they could become hazardous. Check with local food and safety regulators for specific guidelines.

## IMPORTANT

**Clean, rinse, sanitize, and dry parts daily or regularly to comply with local sanitization requirements.**

Be aware of the product you are serving and the temperature the product is required to maintain. Server Products, Inc. cannot be responsible for the serving of potentially hazardous product.



NSF International lists this pump as: "Not acceptable for dispensing potentially hazardous foods."

# DISASSEMBLY

## DISASSEMBLE AND WASH ALL PARTS PROPERLY BEFORE USE. See page 4.

During disassembly, collect small parts in a container to prevent loss.

**1 REMOVE PUMP**  
from container of product.

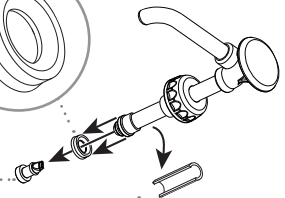
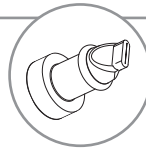
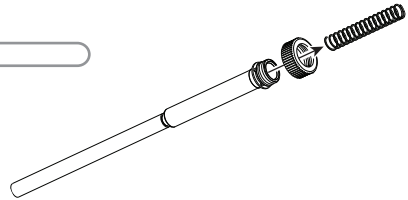
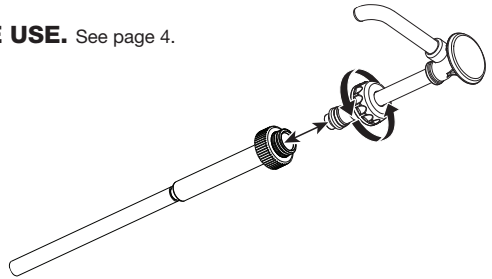
**2 SEPARATE CYLINDER ASSEMBLY & HEAD**  
Loosen locking collar to release.

**3 REMOVE SPRING & CAP FROM CYLINDER**

**4 REMOVE PINCH VALVE**  
from head assembly.

**5 REMOVE SEAL**  
from head assembly by pressing it down and off with thumb. Do not use a sharp tool.

**6 REMOVE GAGING COLLAR**  
if necessary for cleaning.



# CLEANING



## 1 FLUSH & RINSE

all pump surfaces with hot water.  
Place lower end of pump into container of hot water and operate pump until all remaining product is expelled and only hot water is discharged.

**YES!**

**Use dishwashing soap, hot water and nylon brush**

*Pump is dishwasher safe.*

## 2 DISASSEMBLE & CLEAN

all washable parts with soap and hot water  
(See DISASSEMBLY on page 3.)

### USE A SMALL NYLON BRUSH

to thoroughly clean inside discharge tube and any confined areas.

## 3 RINSE

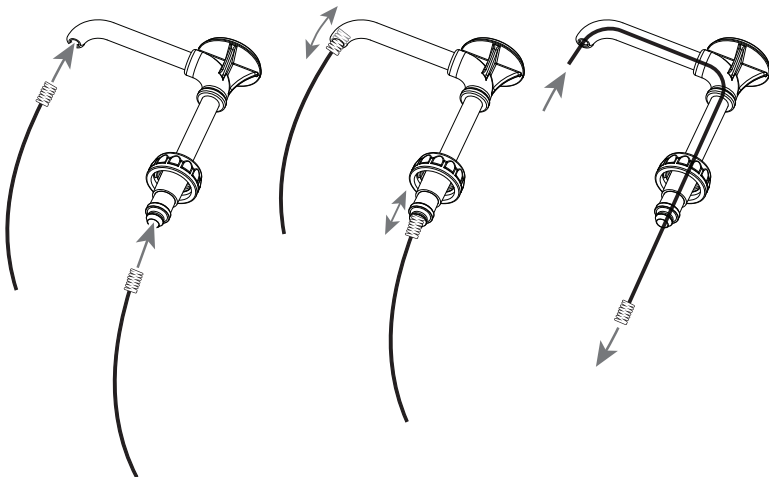
fully with clear water.

## 4 SANITIZE

all parts according to local sanitization requirements. All parts in contact with food must be sanitized.

## 5 AIR DRY

all parts fully.



# CLEAN-IN-PLACE PROCEDURE FOR PUMPS

## 1 CLEAN

- Pump out all (if any) remaining food product from inside pump body.
- Wash and rinse off outside of pump body.
- Flush out and rinse inside of pump.
- Place lower end of pump into container full of water and operate pump until all (if any) remaining product is expelled and only warm water flows from discharge tube.
- Mix 2 tsp (5 mL) of dishwashing detergent with 1 quart (.95 L) of hot tap water (approximately 110°F/43°C).
- Place lower end of pump into cleaning mixture. Pump until all cleaning mixture is expelled.

## 2 RINSE

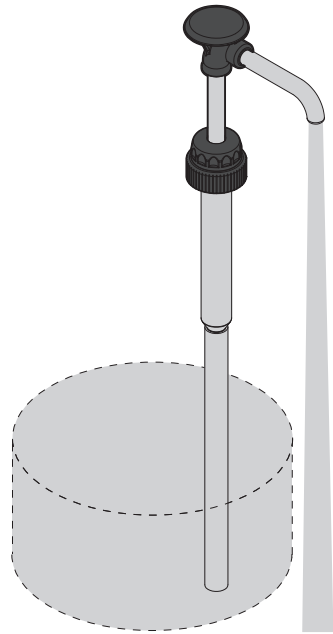
- Place lower end of pump into 2 cups (.5 L) of hot tap water (approximately 110°F/43°C) and pump until all tap water is expelled.

## 3 SANITIZE

- Mix one 1 oz (30 mL) packet of KAY-5 Sanitizer/Cleaner (EPA REG No. 5389-15) with 2.5 gallons (9.5 L) of tap water (approximately room temperature).
- Place lower end of pump into this sanitizing mixture and repeatedly operate pump until 1 quart (.95 L) sanitizing mixture is pumped through pump.

## 4 RINSE

- Place lower end of pump into 1 cup (.24 L) of hot tap water (approximately 110°F/43°C) and pump until all tap water is expelled.



# CARE OF STAINLESS STEEL

This durable pump includes stainless steel components.

If you notice corrosion beginning on any stainless steel surface, you may need to change the cleansing agent, sanitizing agent, or the cleaning procedures you are using.

- A mildly abrasive nylon or brass brush may be used to remove any stubborn deposits.

- Fully rinsing and drying all parts can help prevent corrosion. Elements and minerals in tap water can accumulate on stainless steel parts and create corrosion.
- Do not use abrasive, caustic or ammonia based cleansers.
- Do not use products containing acids, alkalines, chlorine, or salt. These agents can corrode stainless steel.
- Do not use metal scrapers or cleaning pads that could scratch surfaces.

# ASSEMBLY



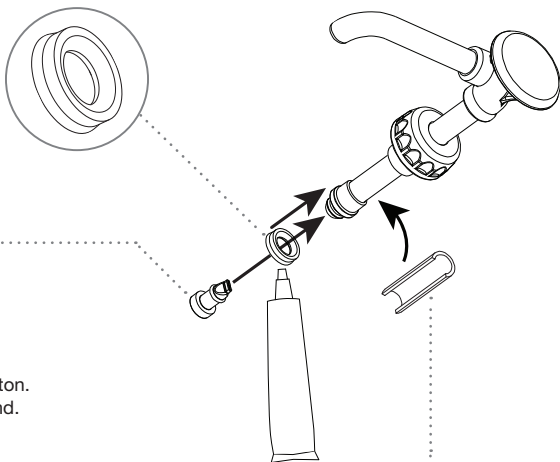
**PRACTICE SAFETY. WASH ALL PARTS PROPERLY BEFORE USE.** See page 4.

## 1 INSTALL SEAL

onto head assembly piston.  
Apply small amount of food  
equipment lubricant inside seal.

**TIP:**

*Flared end of seal must face down.*



## 2 INSTALL PINCH VALVE

**TIP:** Squeeze the pinch valve open  
before installation to ensure it isn't  
stuck shut.

Install pinch valve into bottom of piston.  
Press pinch valve securely to seal end.

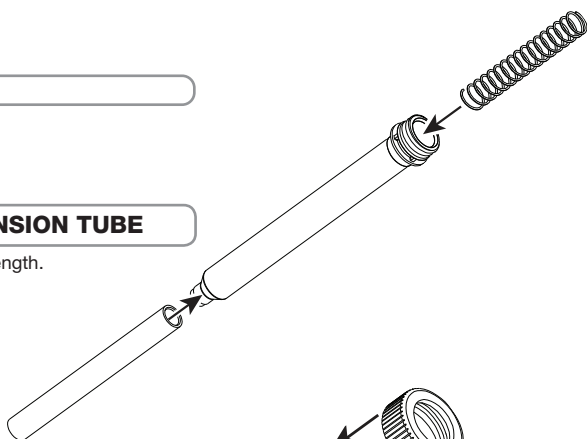
## 3 INSTALL GAGING COLLAR

onto side of head assembly piston.  
*Portion size marked on gaging collar must match  
portion size marked on top of pump.*

## 4 INSERT SPRING INTO CYLINDER

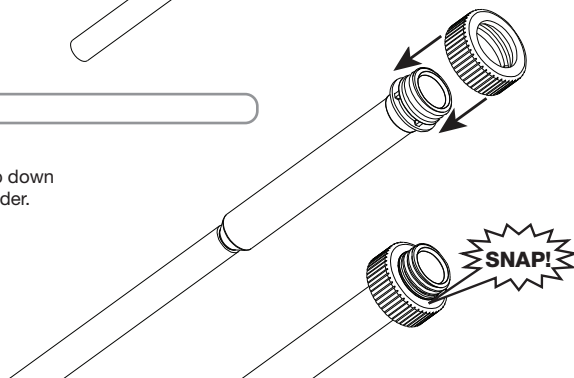
**FOR BP-1/2: ADD EXTENSION TUBE**

to bottom of cylinder to extend length.



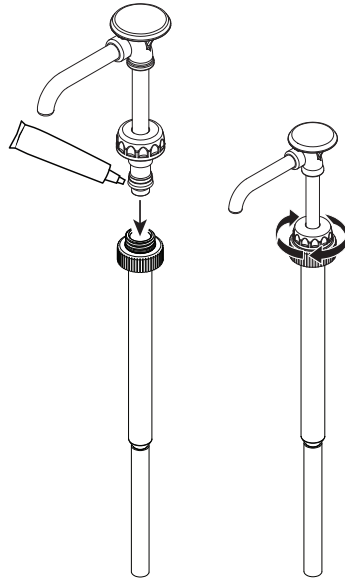
## 5 SNAP CAP ONTO CYLINDER

Press firmly to secure cap down  
over all threading on cylinder.



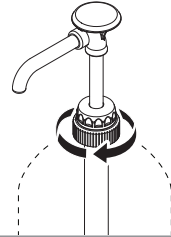
**6 INSTALL HEAD ASSEMBLY INTO CYLINDER**

Apply a small amount of food equipment lubricant to the outside of seal.  
Slide locking collar down onto cylinder threading.  
Tighten firmly to secure head assembly to cylinder.



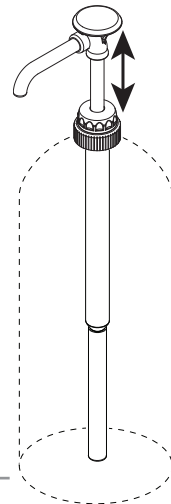
**7 INSERT & SECURE PUMP**

to product container.  
Tighten cap very firmly onto product container threading.



**8 PRIME PUMP**

Press pump several times until any air bubbles are eliminated and only product is dispensed.



# TROUBLESHOOTING

## PRODUCT OZZES OUT FROM LOCKING COLLAR?

- Ensure that the **cap is securely snapped** into place below all the threading on the cylinder.

## INCONSISTENT PORTIONS?

- **Clean pump.**
- Ensure product container is not empty and has **enough product** to pump.
- Ensure unit is **assembled correctly.**

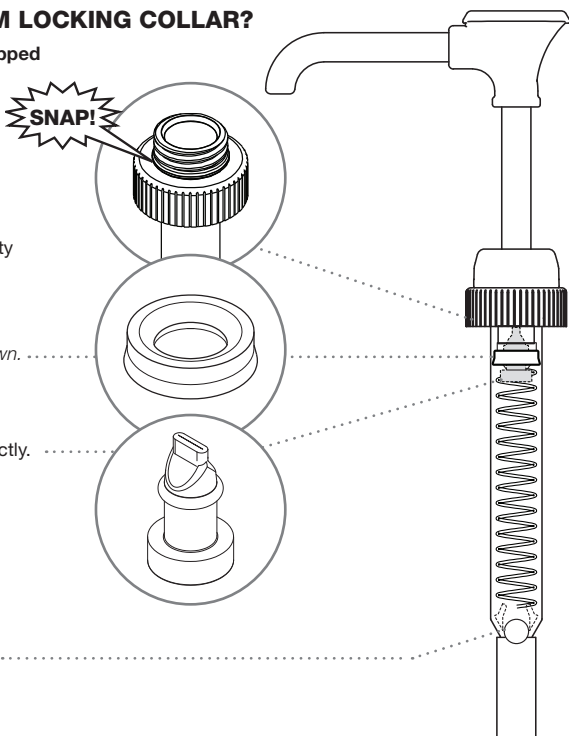
**TIP:** Flared end of **seal** must face down.

- Ensure **pinch valve** is installed correctly.

**TIP:** Squeeze the pinch valve open before installation to ensure it isn't stuck shut.

- Ensure that the **spring** is functional. Replace broken spring if necessary.

- Ensure that the **stainless steel ball** is snapped in place below tabs.



## SERVER PRODUCTS LIMITED WARRANTY

**2**  
YEAR  
WARRANTY



Server Products equipment is backed by a two-year limited warranty against defects in materials and workmanship.

For complete warranty information go to:

[www.Server-Products.com](http://www.Server-Products.com)

## GENERAL SERVICE, REPAIR OR RETURNS

Before sending any item to Server Products for service, repair, or return, contact Server Products customer service to request a **Return Authorization Number**. Merchandise must be sent to Server Products with this number. Service is extremely prompt. Typically, units are repaired and ship out within 48 hours of receipt.

Merchandise being returned for credit must be in new and unused condition and not more than 90 days old and will be subject to a 20% restocking charge.

## NEED HELP?

### Server Products Inc.

3601 Pleasant Hill Road  
Richfield, WI 53076 USA



262.628.5600 | 800.558.8722



[SPSALES@SERVER-PRODUCTS.COM](mailto:SPSALES@SERVER-PRODUCTS.COM)

Please refer to page 2 for descriptions of pump components.

Examine your pump parts. Certain components may be marked with individual part numbers.