

SERVER

• E S S E N T I A L S •

Specialty Warmers ARBY'S Au Jus Server

SPECIFICATION SHEET

FAST FACTS

The Au Jus Warmer/Server is constructed of stainless steel with a brushed #4 finish. Traditional faucet style spigot is black plastic. The compact design takes up a minimal amount of countertop space. Capacity is 1 gallon.

Thermostat is precalibrated to 160° F but adjustable to a maximum of 180° F. 350 watt heating element. Thermostat lock prevents accidental changes. Power is controlled with a lighted ON/OFF rocker switch.

STANDARD FEATURES

- All stainless steel construction for durability
- Holds 1 gallon in a compact countertop design
- Precalibrated thermostat for accurate heat control
- Adjustable thermostat keeps au jus hot and ready to serve all day
- Thermostat lock prevents accidental changes

TWO YEAR WARRANTY

Server Products equipment is backed by a two-year limited warranty against defects in materials and workmanship. For a copy of our complete warranty statement, please refer to server-products.com.



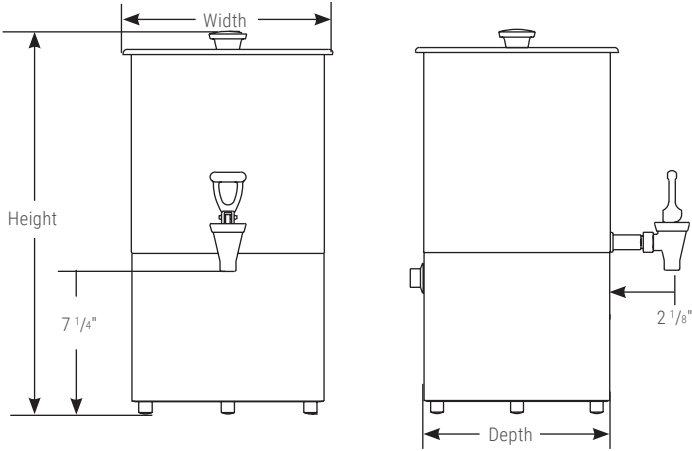
SY 1.0 ARBY'S
85503



Happiness Is Served.

SEE TABLE FOR APPLICABLE TRAITS BY MODEL	
DISPENSES KEY	THIN fountain syrups • oils • hot sauce
	THICK ketchup • mustard • mayo • bbq
	THICKER tartar sauce • crafted sauces
APP KEY	AMBIENT COLD HOT

AU JUS SERVER
SY 1.0 ARBY'S 85503



order amt	dispenses	model/item	app	description	capacity	dims (H x W x D)	weight	plug	voltage	watts/amps
<input type="checkbox"/>		SY 1.0 85503		au jus warmer, faucet dispense	1 gal	14" x 8 1/8" x 10 3/4"	8 1/8 lb		120 AC	350W 2.9A

SERVE GOODNESS ALL DAY WITH AU JUS SERVERS/WARMERS
SERVER-PRODUCTS.COM | 800.558.8722 | 262.628.5600