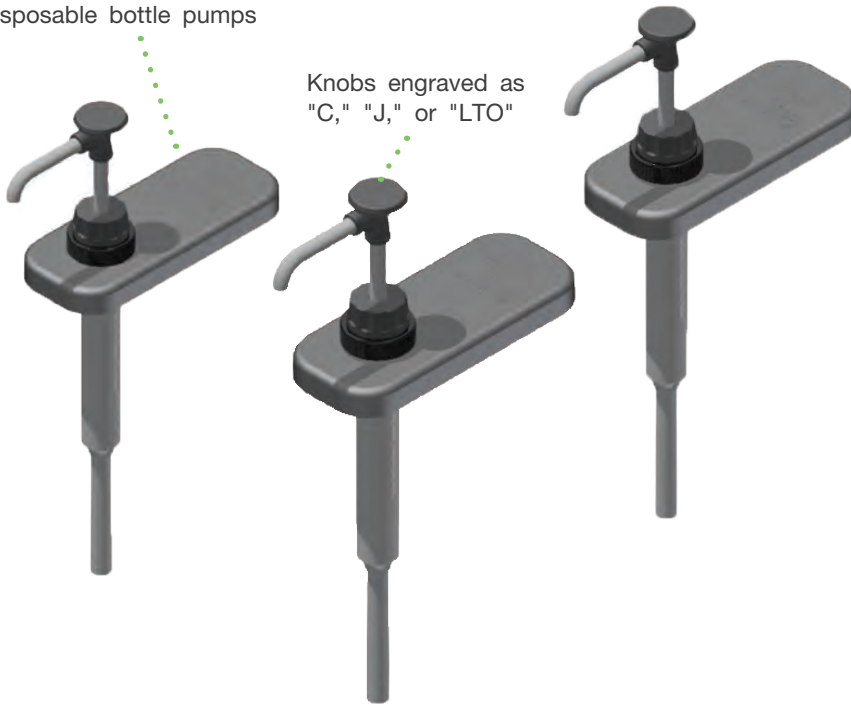


# ECO™ PUMPS

## FOR ARBY'S SYRUP RAIL

Durable Eco™ Pumps are a reliable alternative to disposable bottle pumps



### Fast Facts

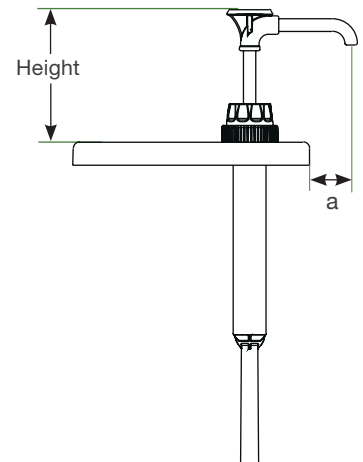
Server's BP style Eco™ Pump is preset to ½ oz for consistent flavor across dayparts.

Pumps are NSF listed for clean-in-place or can be disassembled for cleaning



### Specifications

| Part Number | Works With                                    | Max Portion   | Height Above Jar   | Dim a            | Weight        |
|-------------|-----------------------------------------------|---------------|--------------------|------------------|---------------|
| 88624       | Slim, deep black fountain jar<br>2 qt (1.9 L) | ½ oz<br>15 mL | 4 1/16"<br>10.3 cm | 1 1/4"<br>3.2 cm | 1 lb<br>5. kg |
| 88625       |                                               |               |                    |                  |               |
| 88626       |                                               |               |                    |                  |               |



1.800.558.8722



Server Products, Inc. reserves the right to modify specifications without obligation.  
Printed in USA | © Server Products, Inc 08.2018