


QUICK START GUIDE

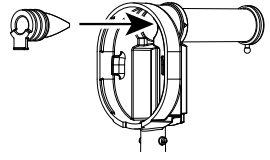
# Server Express® Pump

Tips and tricks to help you get started with your new Server Express® pump.

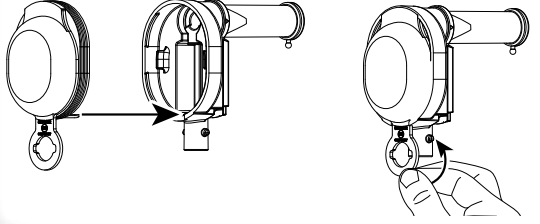
**1** Remove unit from box. Wash, rinse, sanitize, and air dry pump parts properly before use.



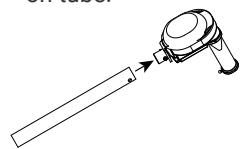
**2** Squeeze pinch valve open to ensure it isn't stuck shut, then insert into pump housing.



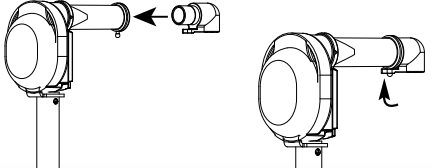
**3** Press dome into housing fully and wrap loop around lower opening to secure.



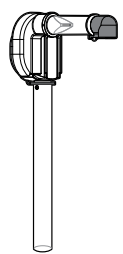
**4** Install tube by rotating until both pegs on housing fit into holes on tube.



**5** Insert discharge fitting into discharge tube. Place loop of fitting around peg on end of discharge tube.



**6** Fully assembled pump.



**WANT TO LEARN MORE?**

Visit [server-products.com/manual-more](https://server-products.com/manual-more) for your manual, part breakdown, support videos and more.  
spsales@server-products.com | 800.558.8722



MODEL  
XXXX  
P/N  
#####

NSF

SERIES  
##X ##X

**2** YEAR  
WARRANTY

REFERENCE YOUR PART NUMBER (P/N) LOCATED ON THE LID OR BASE.