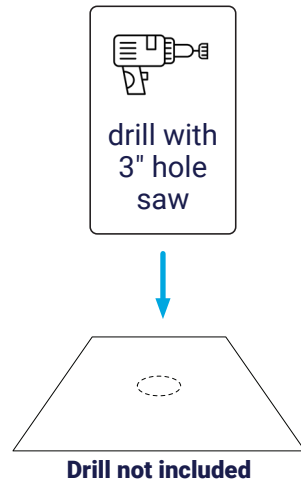
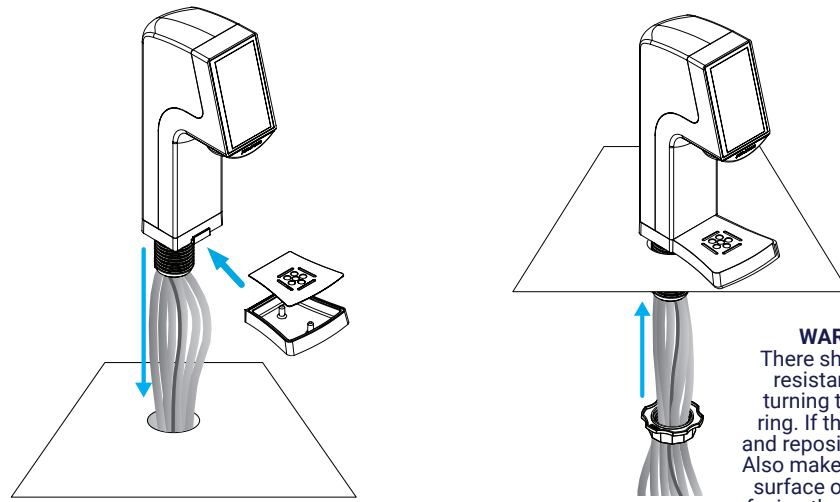
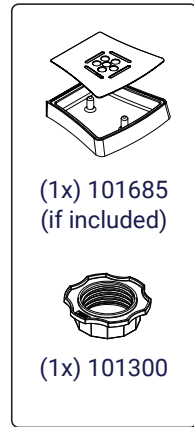


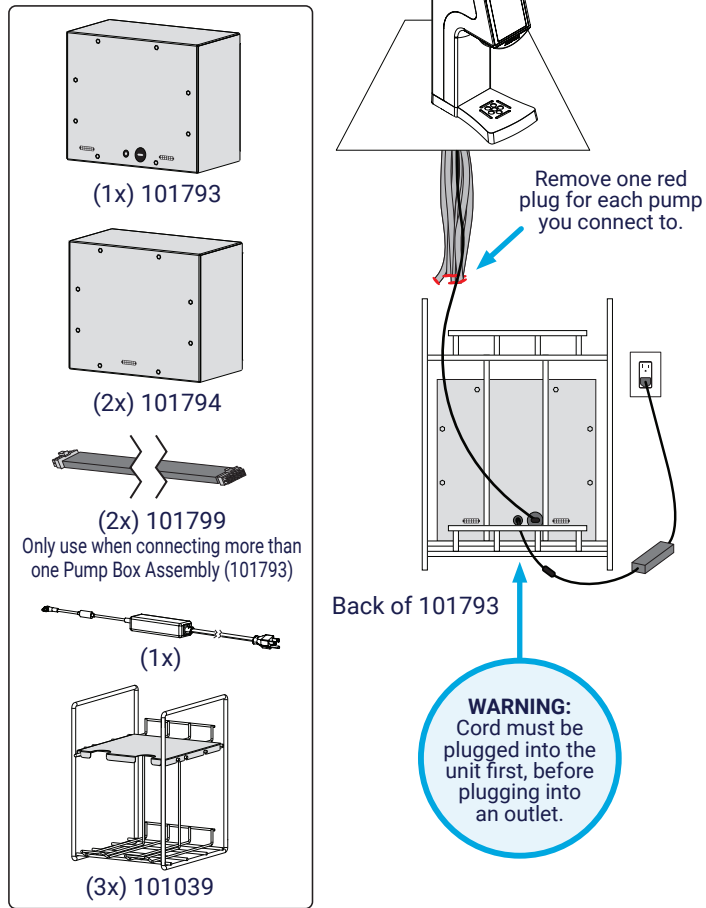
1 START HERE - PARTS BAG IN BIN (07811)



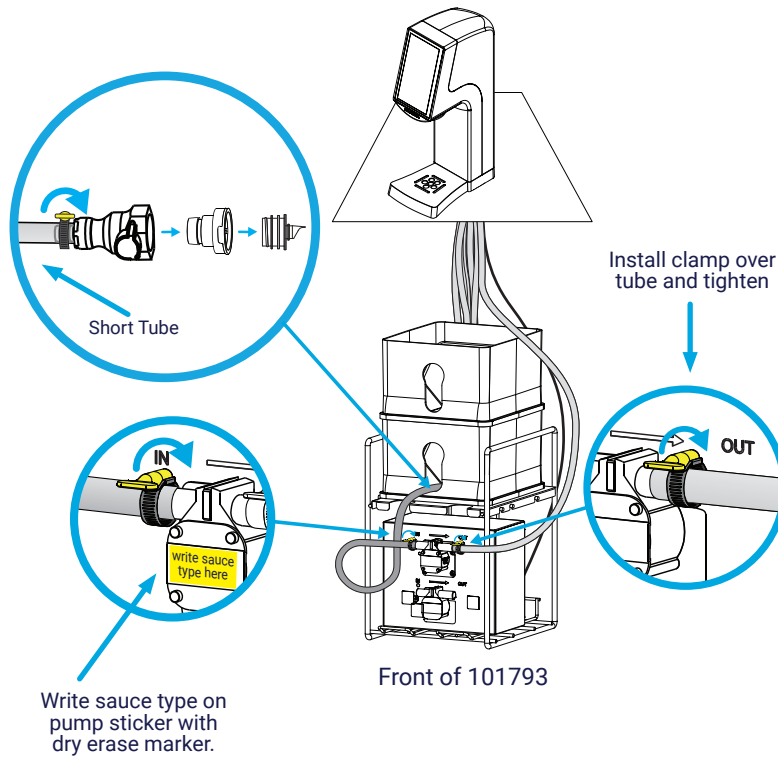
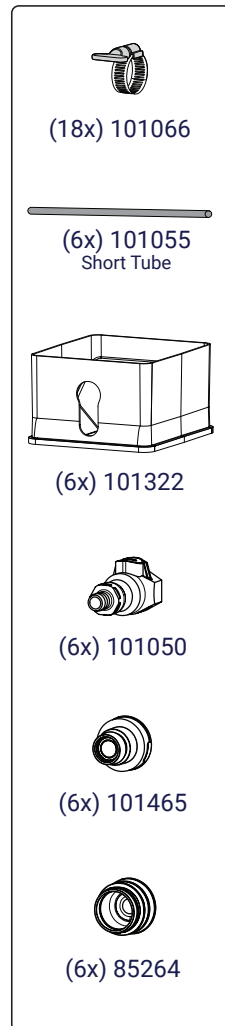
2



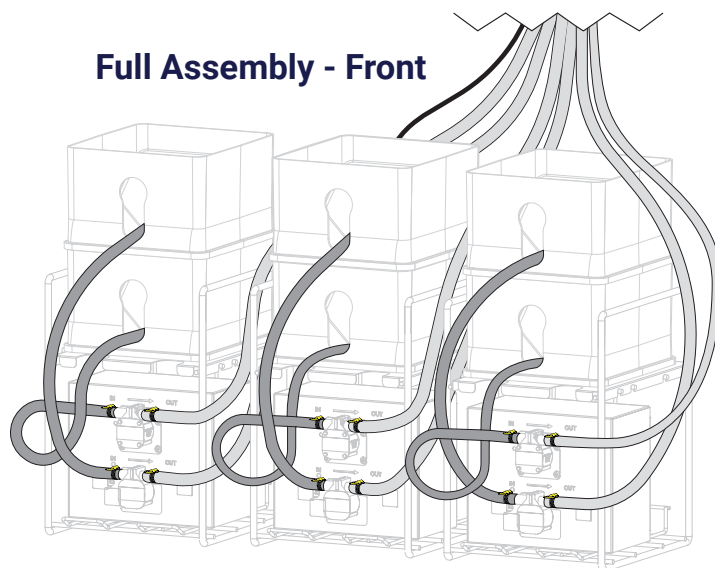
3



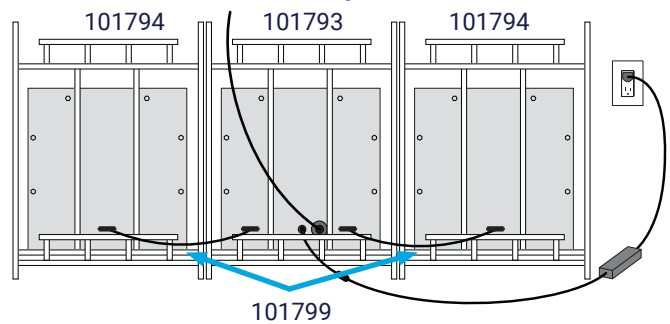
4



Full Assembly - Front



Full Assembly - Back



Before starting setup, you will need:

2L of Kay-5 cleaning solution per line or 2L of detergent water solution per line

Empty container for flushed sanitizer/cleaner solution

1L of rinse sanitizer per line if cleaning with detergent

Clean, dry towels

Dry erase markers



SETUP



Follow prompts to continue



Scan for Multi+ Condiment Dispenser manual or visit https://server-products.com/lxDM_Multi.pdf

