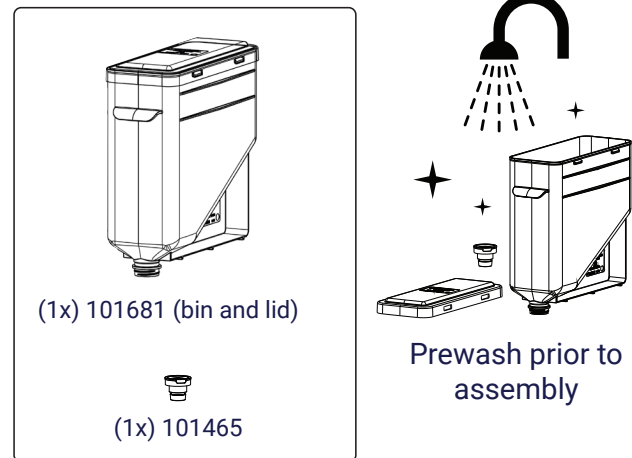
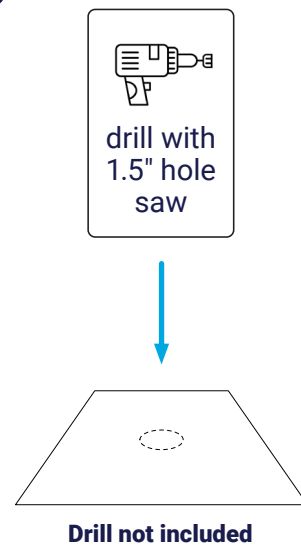


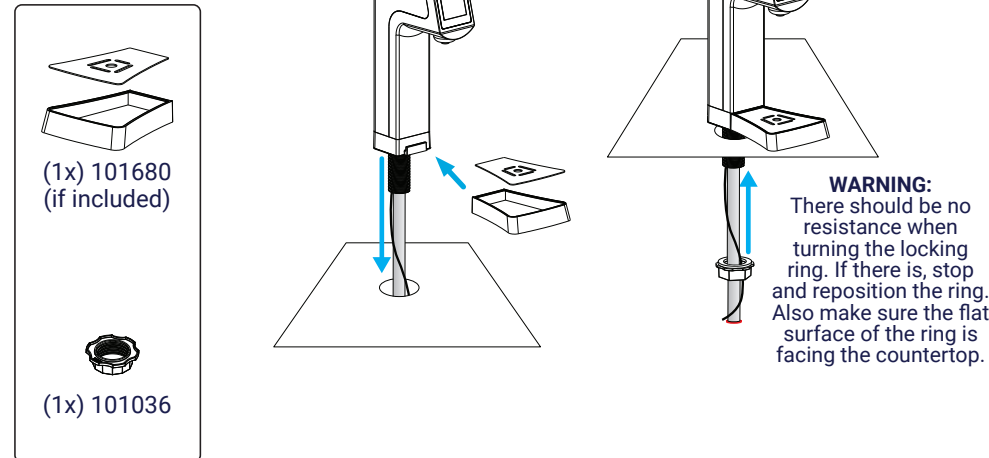
**1** START HERE – PARTS BAG IN BIN (101681)



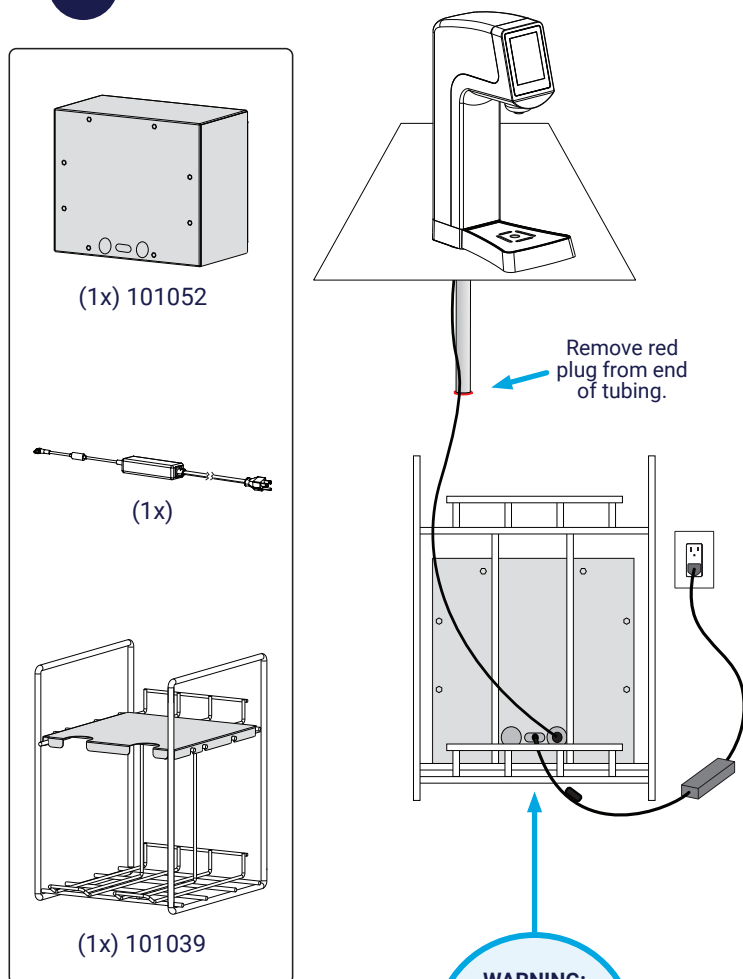
**2**



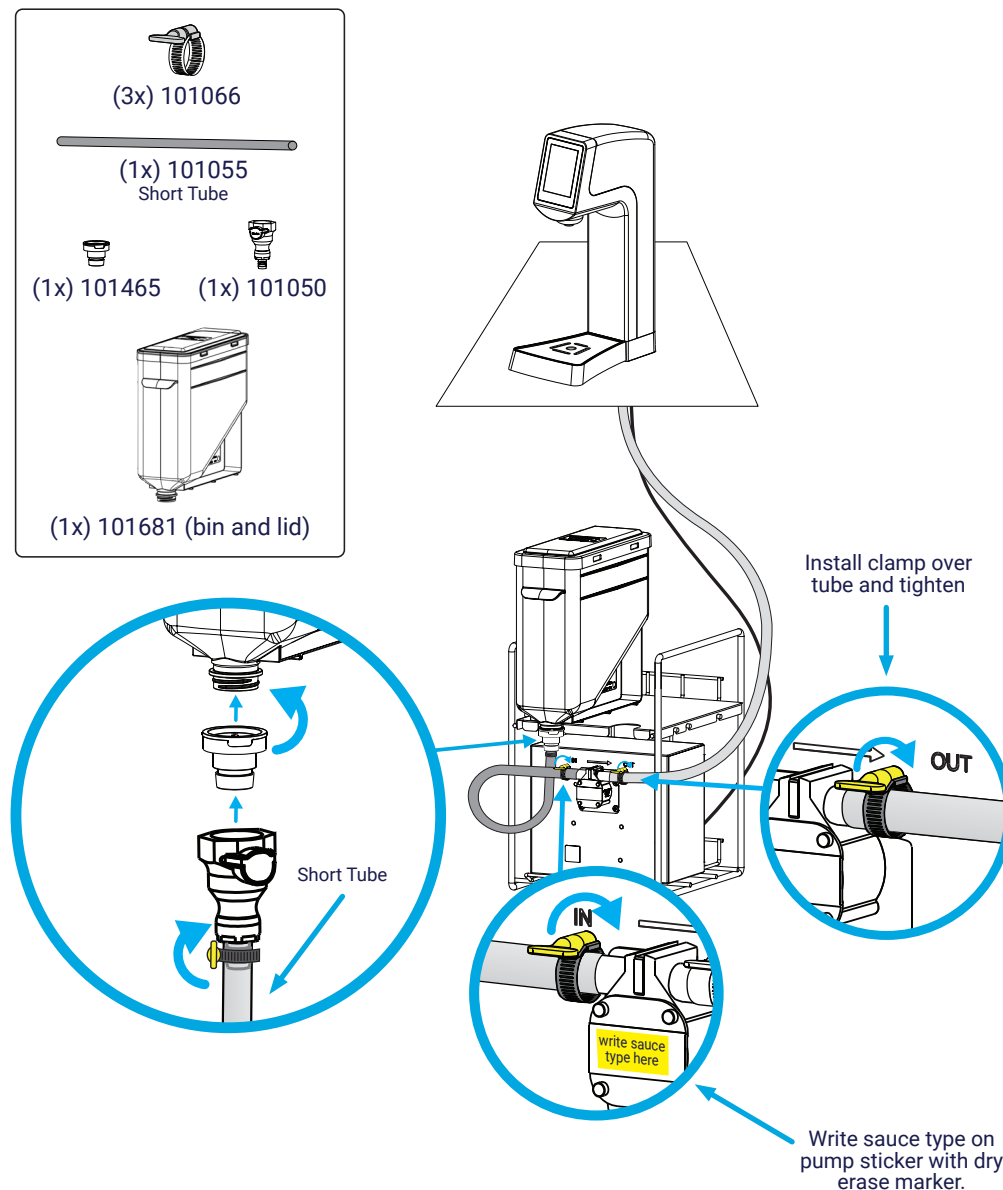
**3**



**4**



**5**



**Before starting setup, you will need:**

4L of Kay-5 cleaning solution per line or 4L of detergent water solution per line

Empty container for flushed sanitizer/cleaner solution

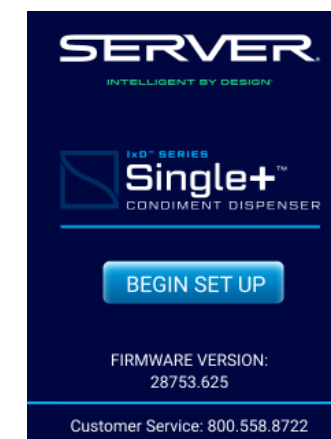
2L of rinse sanitizer per line if cleaning with detergent

Clean, dry towels

Dry erase markers



SETUP



Follow prompts to continue



Scan for Single+ Condiment Dispenser manual or visit [https://server-products.com/1xDM\\_Single.pdf](https://server-products.com/1xDM_Single.pdf)

