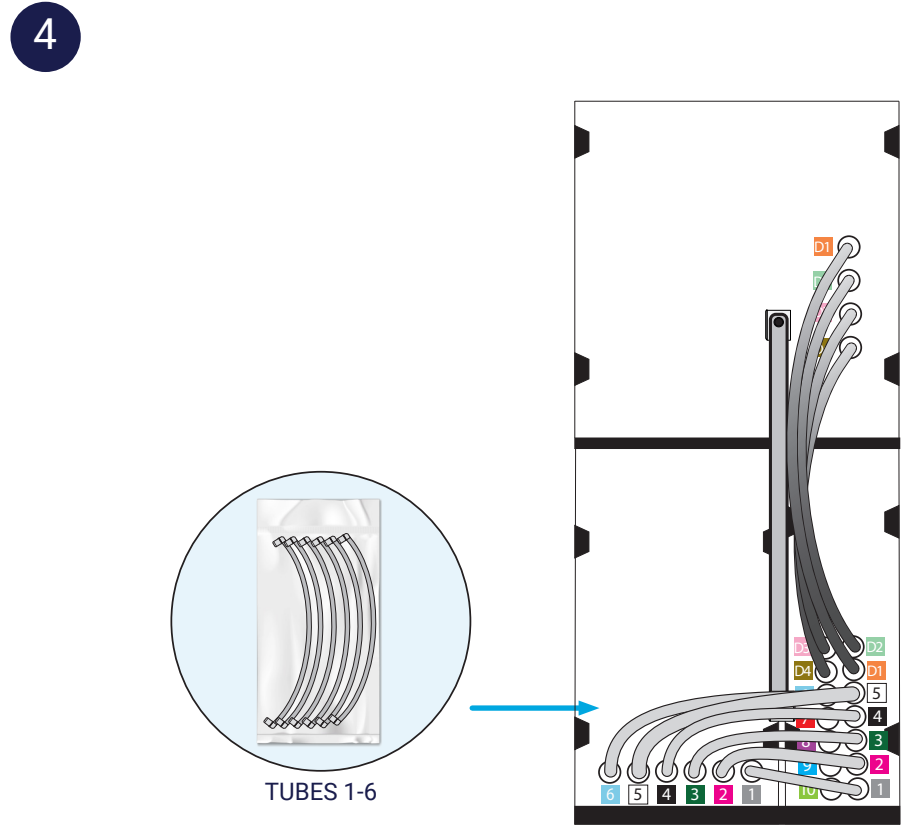
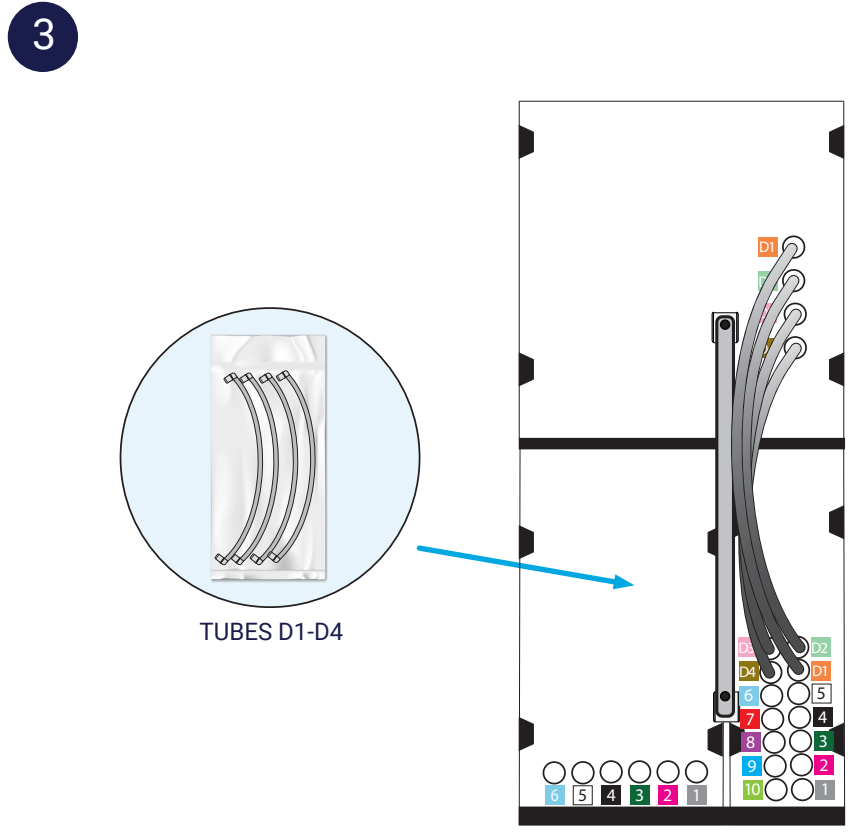
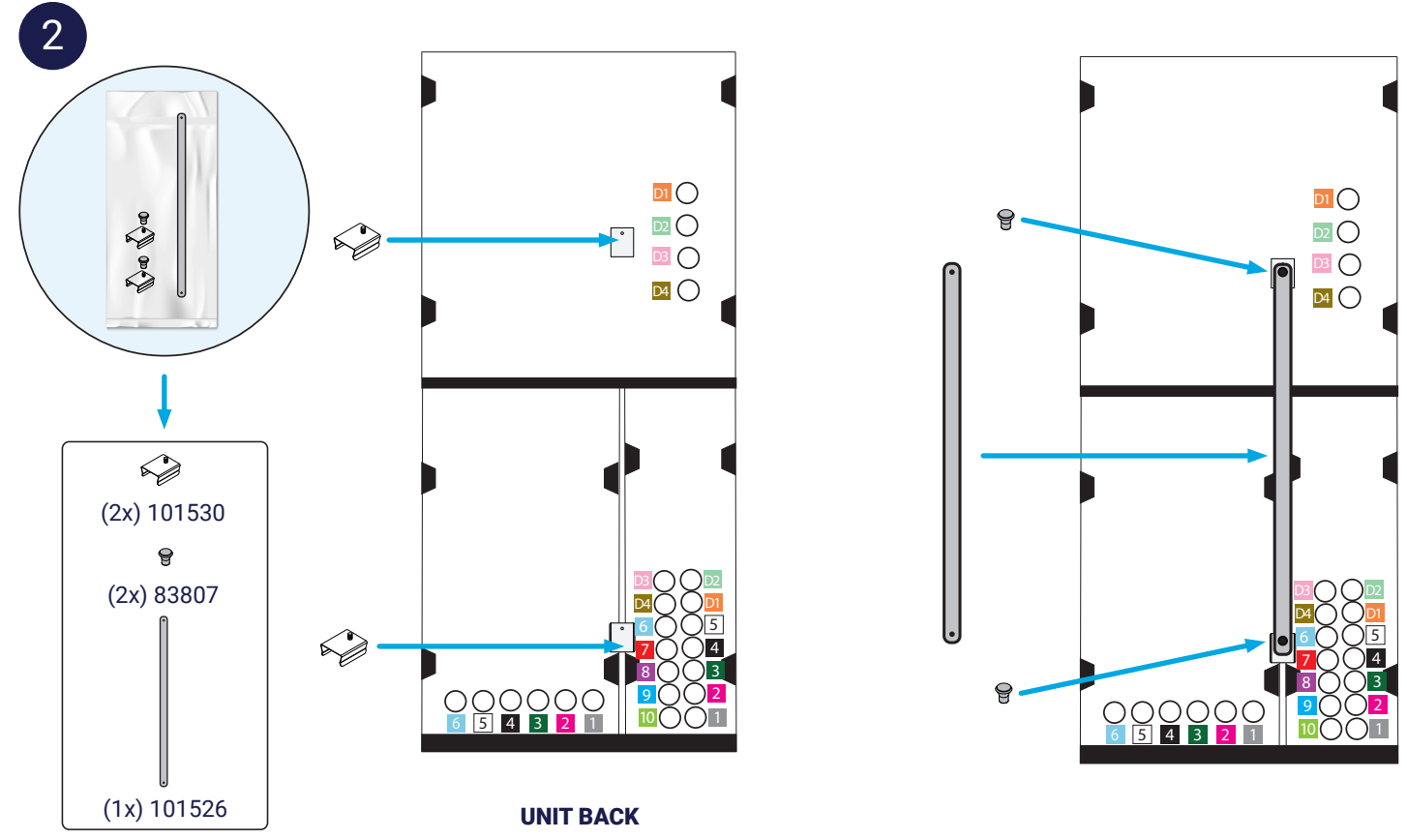
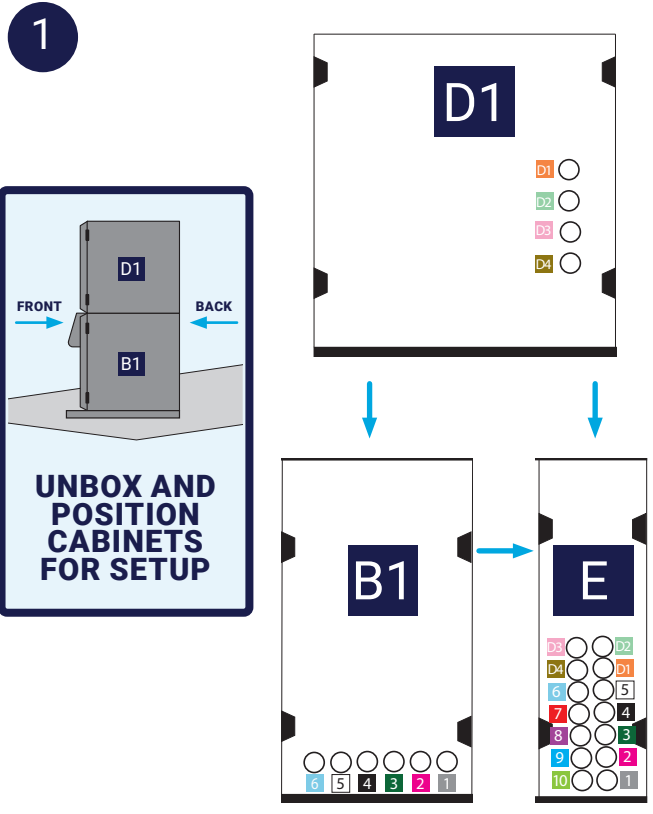
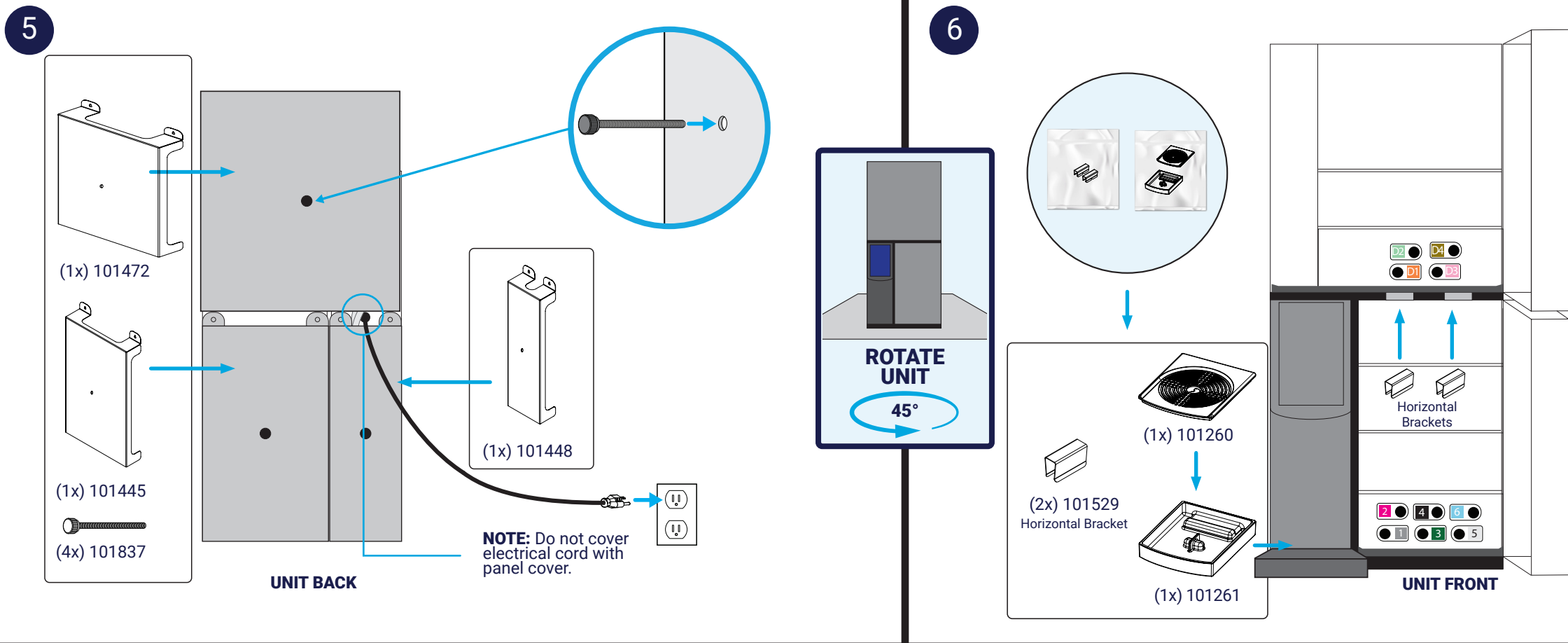


START HERE



OTHER SIDE





**Before starting setup, you will need:**

2L of Kay-5 cleaning solution per line or 2L of detergent water solution per line



Empty container for flushed sanitizer/cleaner solution



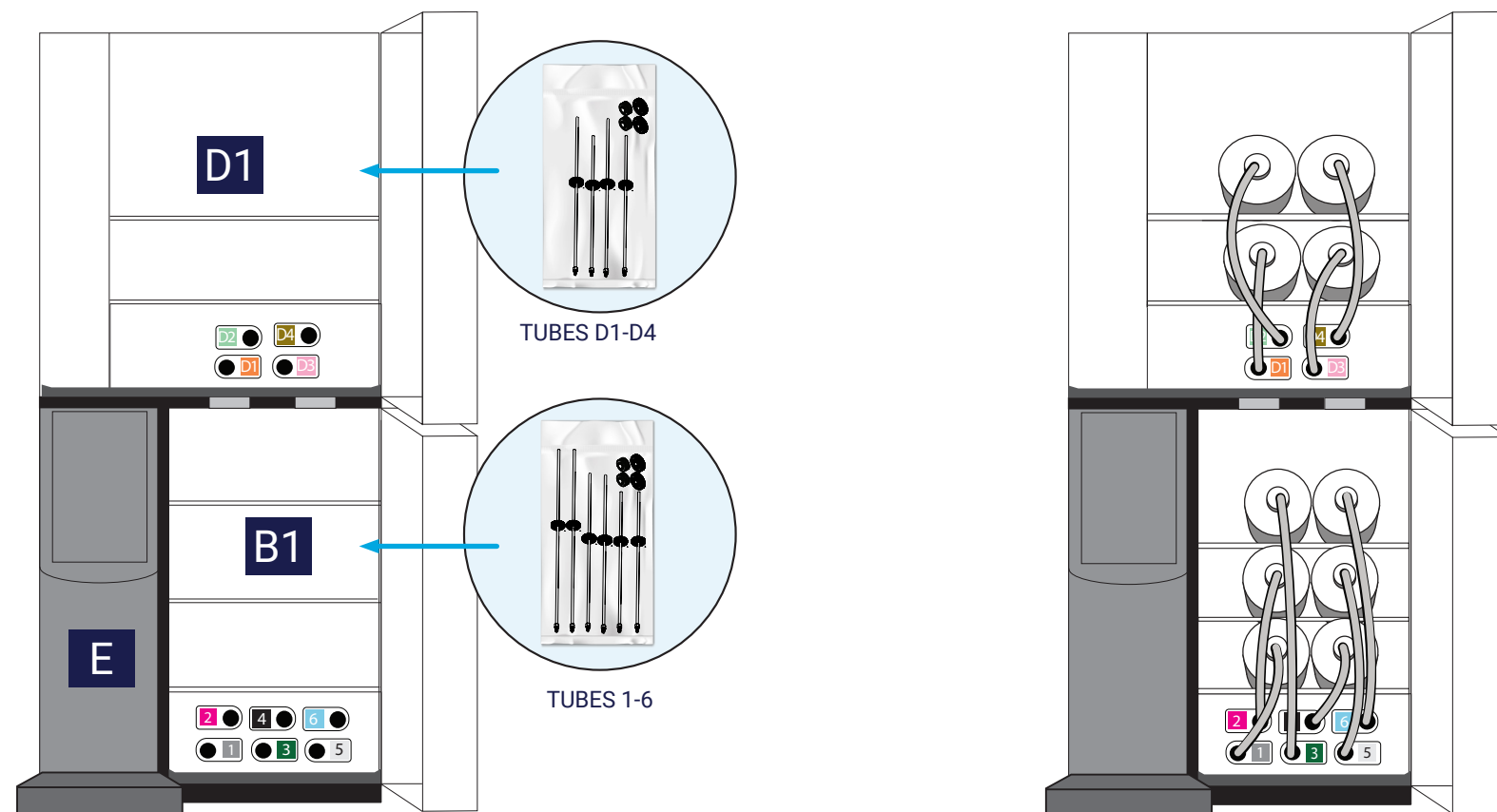
1L of rinse sanitizer per line if cleaning with detergent



Clean, dry towels



Dry erase markers



**FOLLOW ONSCREEN SETUP INSTRUCTIONS FOR HOSE CONNECTIONS AND BOTTLE INSTALLATION**



Follow prompts to continue.



Scan for Flavor+ Syrup Dispenser Manual or visit [https://server-products.com/lxDM\\_Flavor.pdf](https://server-products.com/lxDM_Flavor.pdf)