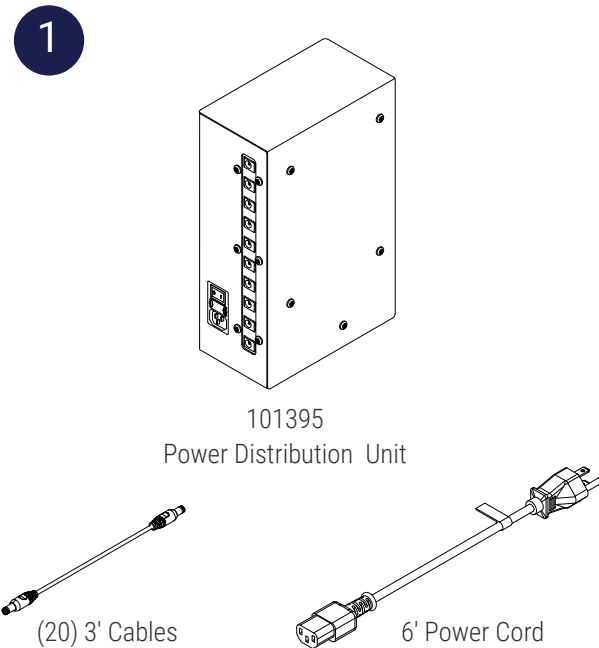
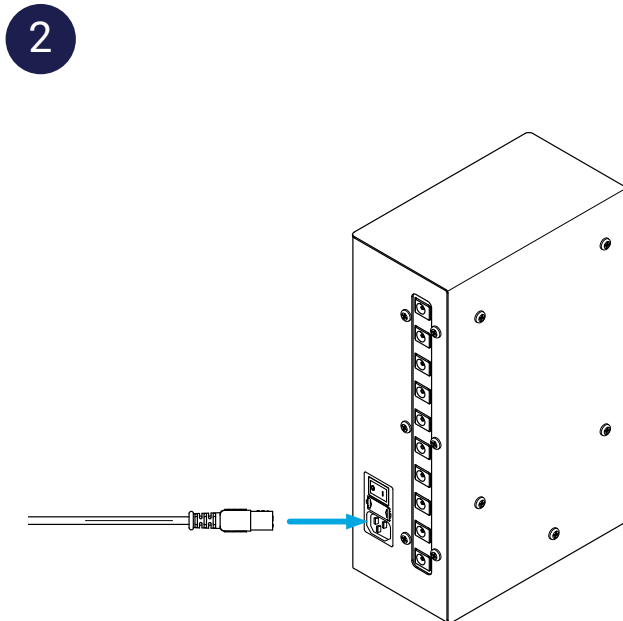


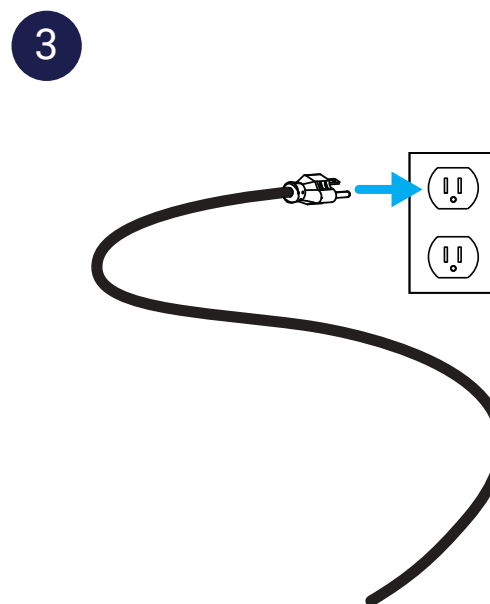
START HERE



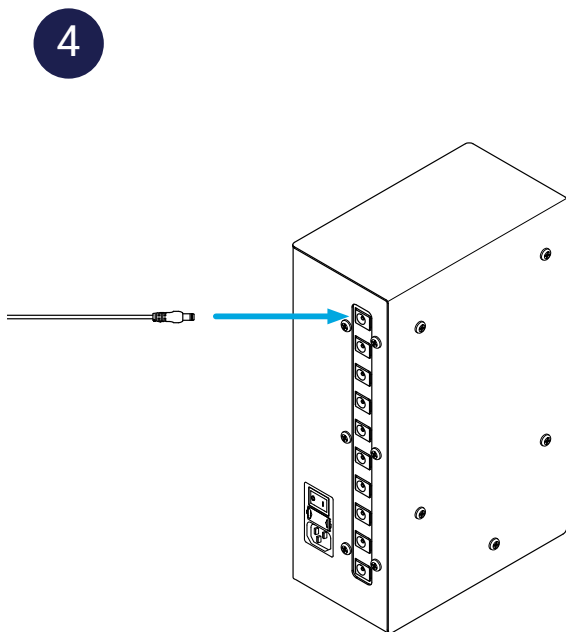
Unbox components.



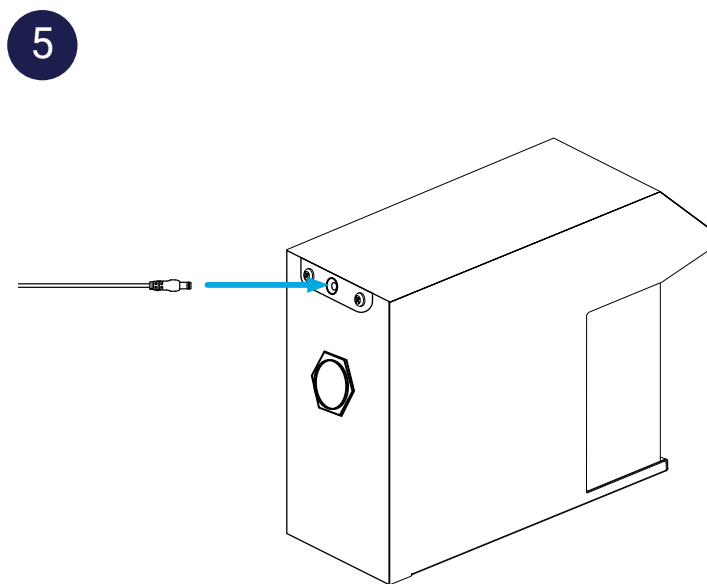
Plug one end of power cord into back of PDU.



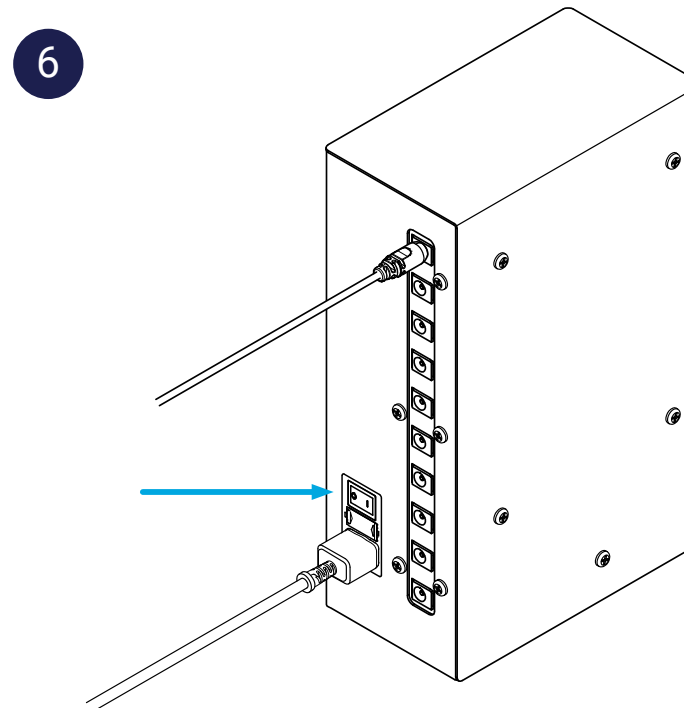
Plug other end of power cord into an outlet.



Plug one end of cable into an open spot on the PDU.



Plug other end of the cable into the back of a Sauce+ or Spin+ unit.



Turn the power switch on the back of the PDU to the on position. This will turn on all connected units. It may take several seconds for the units to turn on.

SERVER

IxD™ SERIES
POWER DISTRIBUTION UNIT (PDU)
101395

Up to 20 Sauce+™ or Spin+™ units can be plugged into a single PDU.

A PDU can handle up to 6 Sauce+ or Spin+ units dispensing or spinning at one time.

If a fuse blows in the PDU, follow these simple steps:

- Unplug the power cord from the back of the unit
- Remove the fuse cartridge and replace the blown fuse(s)
- Reinsert the cartridge and plug the power cord into the unit