

QUICK START GUIDE

Server SlimLine™ Dispenser

Tips and tricks to help you get started with your new SlimLine™ dispenser.


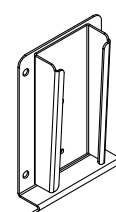
1 Remove unit from box. Clean, rinse, sanitize, and air dry parts. 



2 Install wall bracket. Select wall location or sturdy vertical surface for mounting. Determine proper mounting hardware you will need to supply. Secure bracket to wall stud(s), anchor bolts in wall, or sturdy vertical surface.

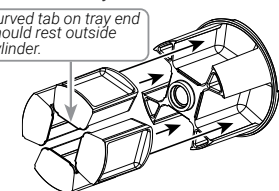
YOU WILL NEED:

- Screwdriver
- (4) screws & (4) anchor bolts (if needed)

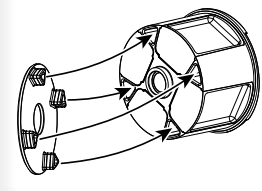



3 Place portion trays. Color-coded trays indicate portion dispensed by volume. Slide all four trays of included serving size into cylinder.

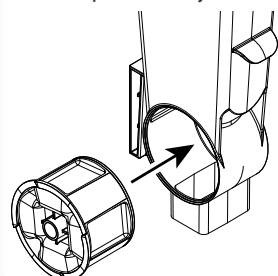
Curved tab on tray end should rest outside cylinder.



4 Attach friction pad. Insert four triangular tabs on friction pad into matching slots in cylinder.

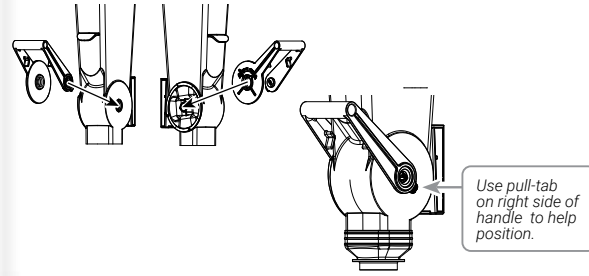


5 Install the cylinder. Slide cylinder, friction pad first, into the opening of dispenser body.

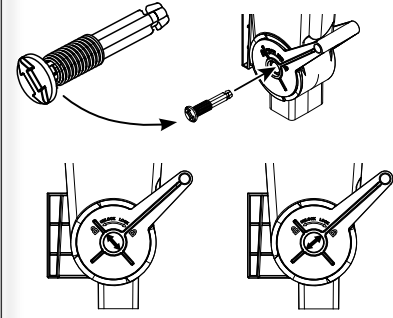



6 Install handle on the body and cylinder. Slide handle over both sides of body and cylinder. Snap handle centers into holes on each side.


Use pull-tab on right side of handle to help position.




7 Install the pivot pin. Slide pivot pin into center hole on left side of handle.



Align arrow on the pin with the unlock position. 

Push pin in. Rotate to the locked position. 

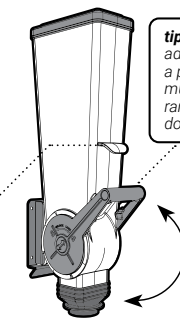
8 Add the adapter cup to the bottom opening of the unit. Fill unit with ingredient you want to dispense. Put the lid on top of unit.



9 Swing handle upward to load the tray. Swing handle downward to dispense the portion.

DID YOU KNOW? The front tab helps you easily lift the unit.

tip: For cylinder to advance and serve a portion, the handle must travel its full range of motion up and down.



WANT TO LEARN MORE?

Visit server-products.com/manual-more for your manual, part breakdown, support videos and more.
spsales@server-products.com | 800.558.8722



MODEL
XXXX
P/N
#####

NSF

SERIES
##X ##X

2 YEAR
WARRANTY

REFERENCE YOUR PART NUMBER (P/N) LOCATED ON THE LID OR BASE.