


QUICK START GUIDE

Server Dip Server

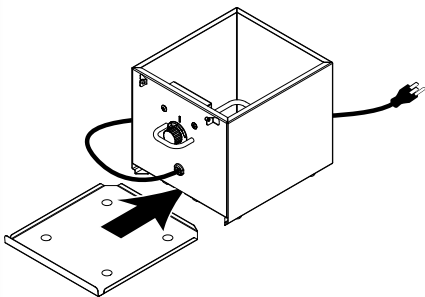
Tips and tricks to help you get started with your new Dip Server.

1 Remove unit from box. Clean, rinse, sanitize, and air dry all parts.

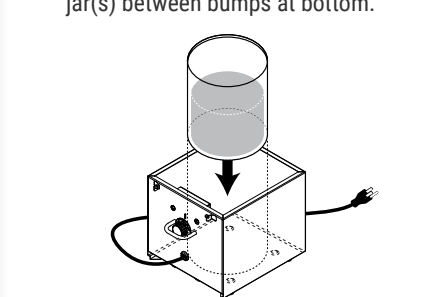


Never immerse complete unit into water. Electrical shock could occur. Be aware of the product you are serving and the temperature the product is required to maintain.

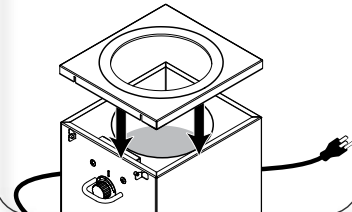
2 Insert removable bottom into slot in base of shroud.



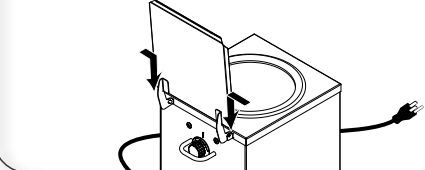
3 Insert dip container into shroud. Position #10 can(s) or stainless steel jar(s) between bumps at bottom.



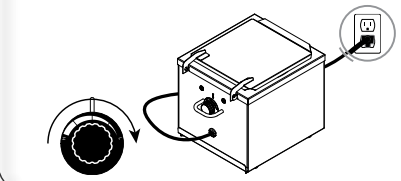
4 Install top onto shroud.




5 Install lid onto shroud. Align lid hinge holes onto pivot pins on shroud. Press lid hinges inward towards each other until pivot pins fit into hinge holes.



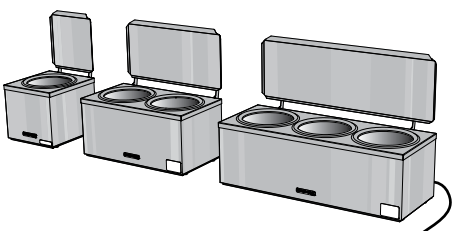
6 Plug cord into power source. Set the thermostat knob to recommended serving temperature.



7 Allow unit to cool before cleaning.

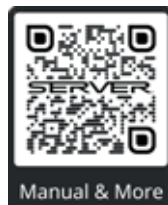


Clean external surfaces daily with a clean damp cloth. Dry with clean soft cloth. Glass and surface cleaners approved for use in food contact areas may be used.



WANT TO LEARN MORE?

Visit server-products.com/manual-more for your manual, part breakdown, support videos and more.
spsales@server-products.com | 800.558.8722



MODEL
XXXX
P/N
#####

NSF

SERIES
##X##X

2 YEAR
WARRANTY

REFERENCE YOUR PART NUMBER (P/N) LOCATED ON THE LID OR BASE.