

QUICK START GUIDE

# Server InSweeten® Dispenser

Tips and tricks to help you get started with your new InSweeten® dispenser.

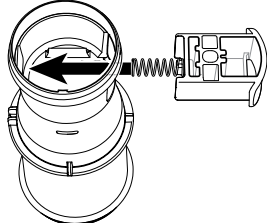
**1** Remove unit from box. Disassemble, clean, rinse, sanitize, and air dry all parts.



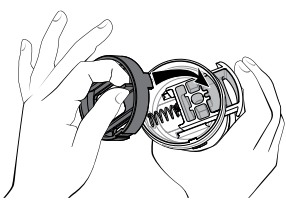
**2** Select portion trigger (if more than one is provided). Trigger determines portion size.

PORTION SIZE	TRIGGER
1/2 TSP	WHITE
0.31 TSP	BLUE
0.31 TSP	PINK
0.31 TSP	YELLOW
0.7 TSP	WHITE
1 TSP	WHITE
1 TSP	GREEN
1 TSP	TAN

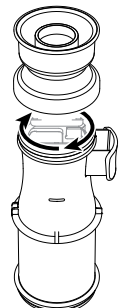
**3** With unit upside down on countertop, slide spring end of trigger into side slot. Smooth side of trigger should face down.



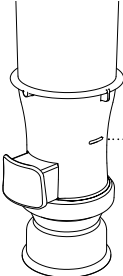
**4** Install closer plate into unit body. Hold closer plate by grasp tab. Slowly push trigger assembly into the body. Insert closer plate rim tab into largest interior opening of trigger.



**5** Install spreader onto unit body, rotating clockwise to tighten.

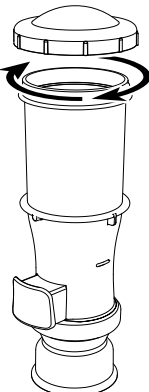


**6** Flip unit right-side up and add granular ingredient.

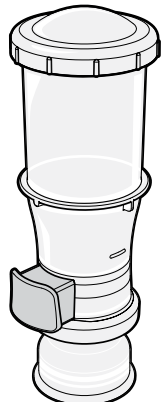


**IMPORTANT:** Refill when product level falls below fill line.

**7** Install lid onto unit body, rotating clockwise to tighten.

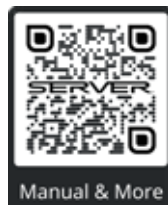


**8** Assembled unit.



**WANT TO LEARN MORE?**

Visit [server-products.com/manual-more](http://server-products.com/manual-more) for your manual, part breakdown, support videos and more.  
spsales@server-products.com | 800.558.8722



MODEL  
XXXX  
P/N  
#####

NSF

SERIES  
##X##X

**2** YEAR  
WARRANTY

REFERENCE YOUR PART NUMBER (P/N) LOCATED ON THE LID OR BASE.