



QUICK START GUIDE

# Server Relish Server

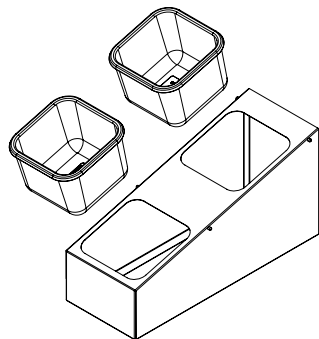
Tips and tricks to help you get started with your new Relish Server.

**1** Clean unit before first use with dishwashing detergent and hot water. Rinse thoroughly and dry with clean soft cloth.

Be aware of the product you are serving and the temperature the product is required to maintain.

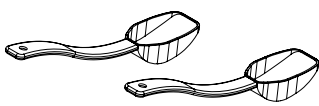
**2** Install pans into unit.



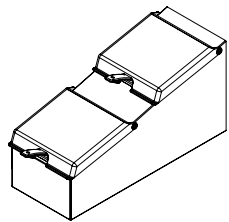
**3** Install lids onto unit. Align holes on lid with pins on shroud.




**4** Install spoons into unit.




**5** Close lids.



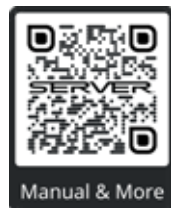
**6** The holder is made of stainless steel. Fully rinsing and drying all parts can help prevent corrosion.

 Do not use abrasive, caustic or ammonia based cleaners. Do not use scrapers, steel pads, steel wool, etc.

 Do not expose shroud of unit to dishwasher or high temperatures.

**WANT TO LEARN MORE?**

Visit [server-products.com/manual-more](https://server-products.com/manual-more) for your manual, part breakdown, support videos and more.  
[spsales@server-products.com](mailto:spsales@server-products.com) | 800.558.8722



MODEL  
XXXX  
P/N  
#####

NSF

SERIES  
##X ##X

**2** YEAR  
WARRANTY

REFERENCE YOUR PART NUMBER (P/N) LOCATED ON THE LID OR BASE.