


QUICK START GUIDE

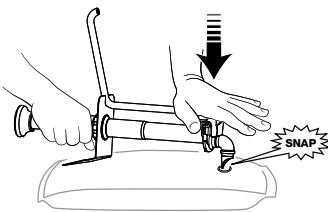
Advantage Topping Warmer

Tips and tricks to help you get started with your new Advantage Topping Warmer.

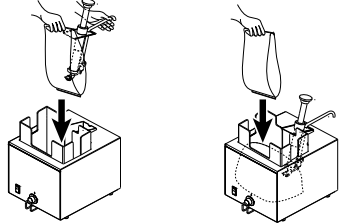
1 Remove unit from box and wash all parts properly before use.



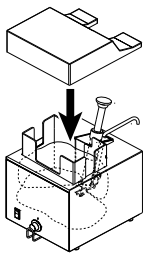
2 Attach pouch to pump.



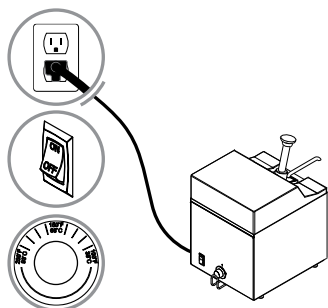
3 Install pouch with pouch into base. Optional: place reserve pouch on top of primary pouch.



4 Add lid.

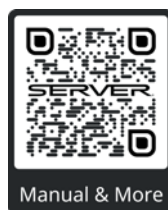


5 Plug cord into power source. Press switch to on the "ON" position. Set the thermostat knob to food manufacturer's serving temperature.



WANT TO LEARN MORE?

Visit server-products.com/manual-more for your manual, part breakdown, support videos and more.
spsales@server-products.com | 800.558.8722



MODEL
XXXX
P/N
#####

NSF®

SERIES
##X##X

2 YEAR
WARRANTY

REFERENCE YOUR PART NUMBER (P/N) LOCATED ON THE LID OR BASE.