

QUICK START GUIDE

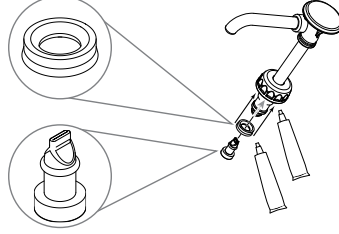
# Server 1/9-Size Jar Eco Pump™

Tips and tricks to help you get started with your new Eco Pump™.

**1** Remove pump from box and disassemble then wash, rinse, and sanitize all pump parts properly before use.



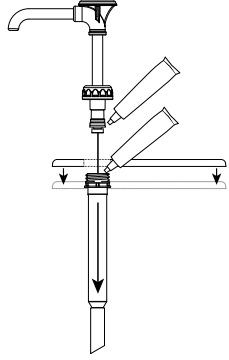
**2** Install seal onto head assembly piston. Apply small amount of food equipment lubricant inside seal. Flared end of seal should face away from the piston head. Apply small amount of food equipment lubricant to inside bottom of piston. Install pinch valve securely to seal end. Squeeze pinch valve open before installation. Rotate pinch valve to spread lubricant evenly. Press pinch valve securely to seal end.



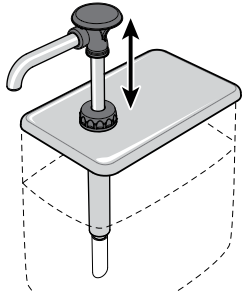
**3** Insert spring into cylinder.



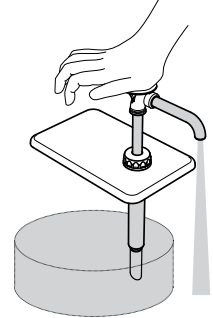
**4** Position lid. Insert cylinder below hole in lid. Install head assembly into cylinder. Apply a small amount of food equipment lubricant inside top of cylinder and outside of seal. Slide locking collar down onto cylinder threading and tighten to secure head assembly to cylinder.



**5** Insert pump into 1/9-size jar of product. Press pump several times until any air bubbles are eliminated and only product is dispensed.

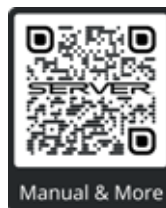


**6** This pump can also be cleaned-in-place without disassembly. For complete instructions for cleaning-in-place, scan the QR code below and look up your part number in the search bar to find the manual.



**WANT TO LEARN MORE?**

Visit [server-products.com/manual-more](http://server-products.com/manual-more) for your manual, part breakdown, support videos and more.  
[spsales@server-products.com](mailto:spsales@server-products.com) | 800.558.8722



MODEL  
XXXX  
P/N  
#####

NSF®

SERIES  
##X ##X

**2** YEAR  
WARRANTY

**REFERENCE YOUR PART NUMBER (P/N) LOCATED ON THE LID OR BASE.**