

QUICK START GUIDE

Server Eco Pump™

Tips and tricks to help you get started with your new Eco Pump™.

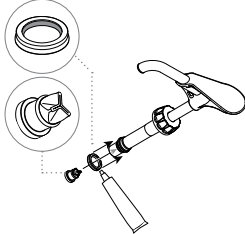
**1** Remove pump from box and disassemble then wash, rinse, and sanitize all parts properly before use.



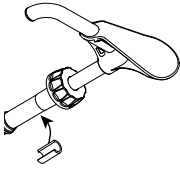
**2** Install O-ring into seal. Apply food equipment lubricant on O-ring.



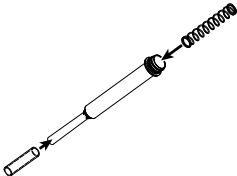
**3** Install seal onto head assembly piston. Apply small amount of food equipment lubricant inside seal. Flared end of seal should face away from piston head. Install pinch valve securely to seal end. Squeeze pinch valve open before installation.



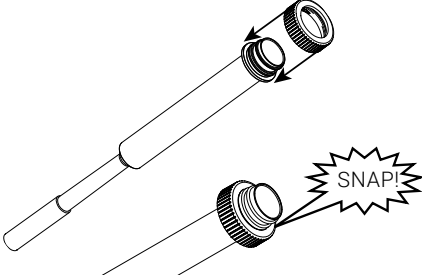
**4** Install optional gaging collar(s) onto side of head assembly piston to reduce portion size.



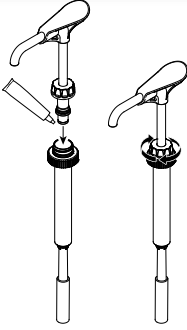
**5** Insert spring into cylinder. Add optional extension tube if extra length is needed to reach product at bottom of container.



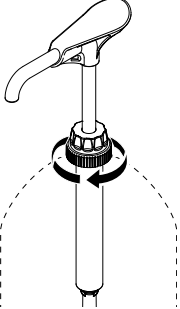
**6** Snap cap onto cylinder. Press firmly to secure cap down over all threading on cylinder.



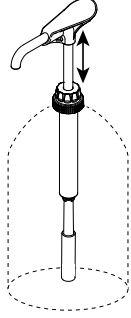
**7** Install head assembly into cylinder. Apply small amount of food equipment lubricant inside top of cylinder and outside of seal. Slide locking collar down onto cylinder threading. Tighten firmly.



**8** Insert and secure pump to product container. Tighten cap very firmly onto product container threading.

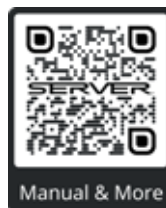


**9** Prime pump by pressing several times until any air bubbles are eliminated and only product is dispensed.



**WANT TO LEARN MORE?**

Visit [server-products.com/manual-more](http://server-products.com/manual-more) for your manual, part breakdown, support videos and more.  
[spsales@server-products.com](mailto:spsales@server-products.com) | 800.558.8722



MODEL  
XXXX  
P/N  
#####

NSF®

SERIES  
##X ##X

**2** YEAR  
WARRANTY

**REFERENCE YOUR PART NUMBER (P/N) LOCATED ON THE LID OR BASE.**