



QUICK START GUIDE

Server Insulated Relish Server

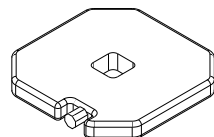
Tips and tricks to help you get started with your new Insulated Relish Server.

1 Clean unit before first use with dishwashing detergent and hot water. Rinse thoroughly and dry with clean soft cloth.

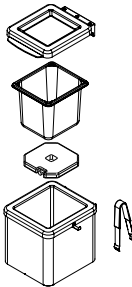
Be aware of the product you are serving and the temperature the product is required to maintain.

2 For insulated units, install ice packs into bottom of unit. Optional ice packs are available (100515). Allow ice packs to freeze for about 12 hours. Each ice pack will maintain a temperature of 45°F or below for about 4 hours. If no ice packs are available, fill unit with crushed ice up to bottom of pans.

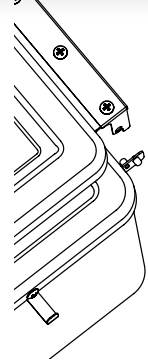


3 Install pans into unit.

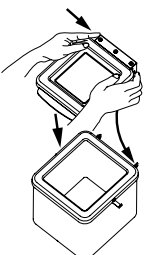


4 Hinged lid can be installed in two ways.


- Attach to inside hinge pins for self-closing lid.
- Attach to outside hinge pins for non-self-closing.




5 Install lid onto unit by pulling or pushing each hinge on lid to allow pins on unit to engage into holes in hinges. Close lid.



6 The holder is made of stainless steel. Fully rinsing and drying all parts can help prevent corrosion.



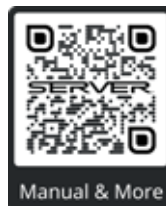
Do not use abrasive, caustic or ammonia based cleaners. Do not use scrapers, steel pads, steel wool, etc.



Do not expose shroud of unit or ice packs to dishwasher or high temperatures.

WANT TO LEARN MORE?

Visit server-products.com/manual-more for your manual, part breakdown, support videos and more.
spsales@server-products.com | 800.558.8722



MODEL
XXXX
P/N
#####

NSF

SERIES
##X ##X

2 YEAR
WARRANTY

REFERENCE YOUR PART NUMBER (P/N) LOCATED ON THE LID OR BASE.