


QUICK START GUIDE

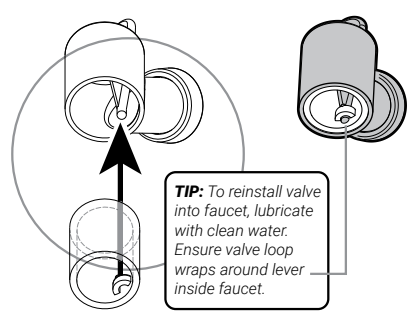
Server Batter Serving Center

Tips and tricks to help you get started with your new Batter Serving Center.

1 Disassemble then thoroughly clean all washable parts with soap and hot water. Rinse fully with clear water then sanitize according to local requirements. Air dry all parts fully. External surfaces may be cleaned with a clean damp cloth and dried with a clean soft cloth.

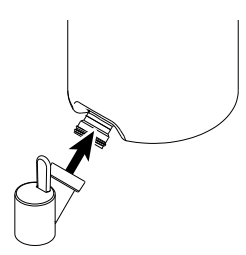


2 After cleaning valve:

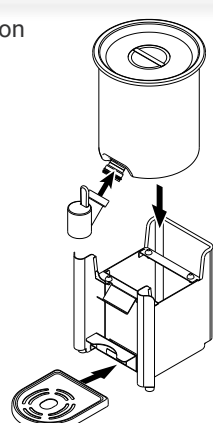


TIP: To reinstall valve into faucet, lubricate with clean water. Ensure valve loop wraps around lever inside faucet.

3 Attach faucet to vessel. Insert faucet neck into vessel spout. Screw faucet connector to vessel.

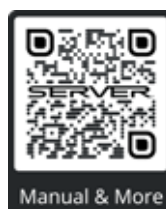


4 Place vessel onto base then position drip tray under base.



WANT TO LEARN MORE?

Visit server-products.com/manual-more for your manual, part breakdown, support videos and more.
spsales@server-products.com | 800.558.8722



MODEL
XXXX
P/N
#####

NSF

SERIES
##X ##X

2 YEAR
WARRANTY

REFERENCE YOUR PART NUMBER (P/N) LOCATED ON THE LID OR BASE.