

QUICK START GUIDE

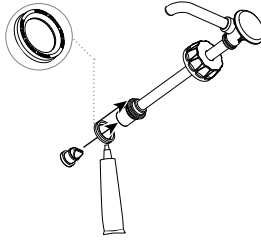
Server Eco Pump™

Tips and tricks to help you get started with your new Eco Pump™.

1 Remove pump from box and disassemble then wash, rinse, and sanitize all pump parts properly before use.



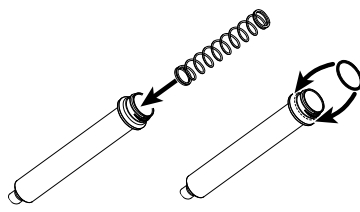
2 Install seal onto head assembly piston. Apply small amount of food equipment lubricant inside seal. Flared end of seal should face away from piston head. Install pinch valve securely to seal end. Squeeze pinch valve open before installation.



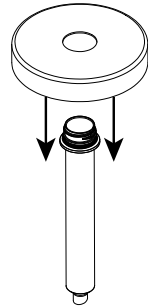
3 Install gaging collar onto side of head assembly piston.



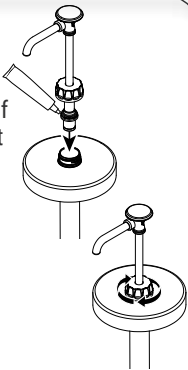
4 Insert spring into cylinder and then add o-ring onto cylinder by pushing it down over all threading on cylinder.



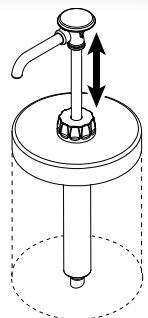
5 Add lid onto cylinder.



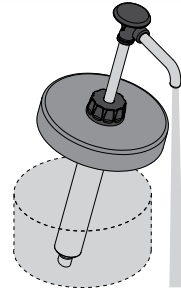
6 Install head assembly into cylinder. Apply small amount of food equipment lubricant to the outside of the seal. Slide locking collar down onto cylinder threading. Tighten firmly.



7 Insert pump into product container. Prime pump by continuously pressing on the pump until any air bubbles are eliminated and only product is dispensed.

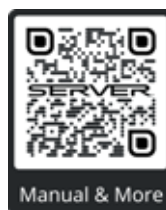


8 This pump can also be cleaned-in-place without disassembly. For complete instructions for cleaning-in-place, scan the QR code below and look up your part number in the search bar to find the manual.



WANT TO LEARN MORE?

Visit server-products.com/manual-more for your manual, part breakdown, support videos and more.
spsales@server-products.com | 800.558.8722



MODEL
XXXX
P/N
#####

NSF®

SERIES
##X ##X

2 YEAR
WARRANTY

REFERENCE YOUR PART NUMBER (P/N) LOCATED ON THE LID OR BASE.