


QUICK START GUIDE

Thick Product Dispenser

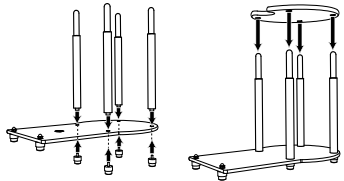
Tips and tricks to help you get started with your new Thick Product Dispenser.

1 Remove unit from box. Clean, rinse, sanitize, and air dry all parts.

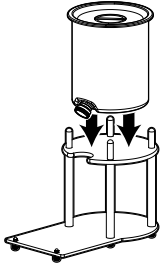


Use dishwashing soap and hot water. External surfaces may be wiped clean with a clean damp cloth.

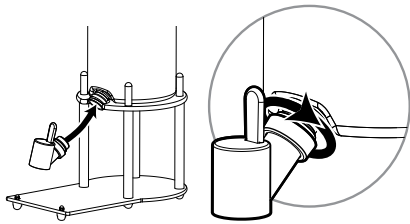
2 Assemble the stand. Insert legs into holes in bottom platform. Screw feet into legs through underside of platform. Slide upper platform onto legs.



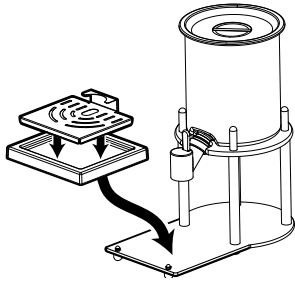
3 Place vessel on stand.



4 Install faucet onto vessel. Insert faucet neck into vessel spout. Screw threaded faucet connector to vessel.



5 Position drip tray on base.



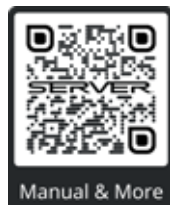
6 **READY!**

- Fill with product.
- Push lever to dispense.



WANT TO LEARN MORE?

Visit server-products.com/manual-more for your manual, part breakdown, support videos and more.
spsales@server-products.com | 800.558.8722



MODEL
XXXX
P/N
#####

NSF

SERIES
##X##X

2 YEAR
WARRANTY

REFERENCE YOUR PART NUMBER (P/N) LOCATED ON THE LID OR BASE.