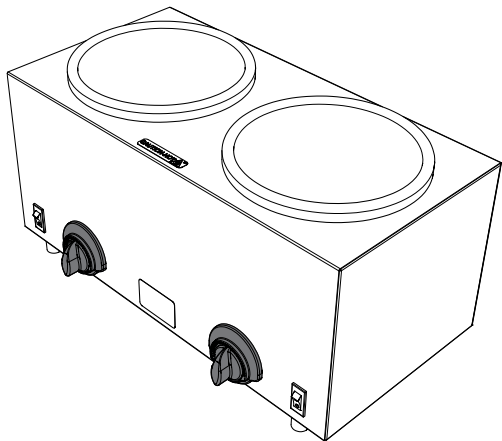


81430

Base Only for
FS/FSP
(Australia)
Series 13C



Complete View for Reference

PART	QTY	DESCRIPTION
81116	2	4 QT WATER ASSEMBLY VESSEL
81298	2	HEATING ELEMENT
81236	2	THERMAL CUT-OUT, 167°-169°C
11207	1	BUSHING, 9/16 HOLE
81223	1	SHROUD ASSEMBLY
04173	2	SNAP-IN ROCKER SWITCH, 250V
81276	2	21" THERMOSTAT, 110°C
81296	2	TEMP INDICATOR PLATE
81271	2	THERMOSTAT KNOB
11293	1	CORD ASSEMBLY (AUSTRALIA)
11197	1	BUSHING, STRAIN RELIEF
81058	4	FOOT WITH SCREW
81237	1	BOTTOM CLOSER

