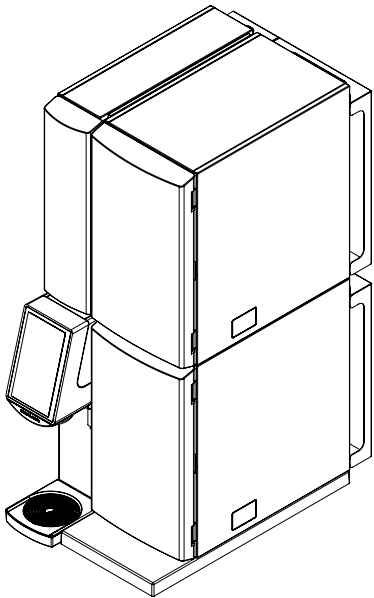


101575

ixD™ SERIES

Flavor+™

SYRUP DISPENSER

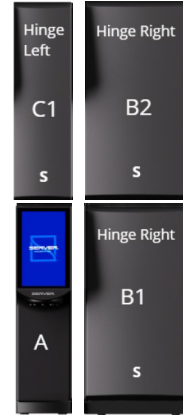


Complete View
for Reference

PATENT PENDING

- Cabinet C1 - 101450**
- A** 101580 Bag of tubes to connect to main unit (2x)
 - B** 101583 Bag of bottle tubes (2 lengths, 1 of each type)
 - C** 101448 Back cover

- Cabinet A - 101457**
- D** 101589 Bag with Clips
 - E** Drip Tray Cover (101261)
 - F** Drip Tray Bottom (101260)
 - C** 101448 Back Cover



- Cabinet B2 - 101494**
- G** 101738 Bag of tubes to connect to main unit (2x)
 - H** 101740 Bag of bottle tubes (3 lengths, 2 of each type)
 - I** 101445 Back cover

- Cabinet B1 - 101454**
- G** 101463 Bag of tubes to connect to main unit (2x)
 - H** 101581 Bag of bottle tubes (3 lengths, 2 of each type)
 - I** 101445 Back cover

