

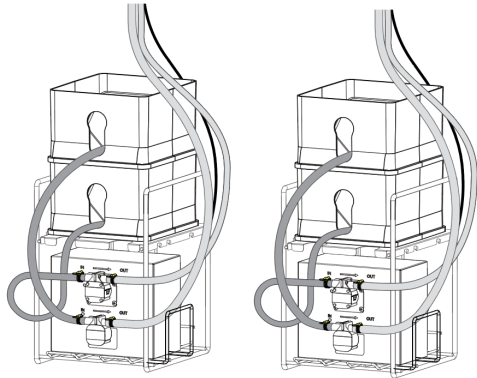
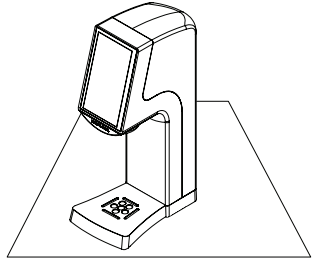
**SERVER**

262.628.5600 | 800.558.8722  
 spsales@server-products.com

**101877**

**1xD™ SERIES**

**Multi+™**  
 CONDIMENT DISPENSER

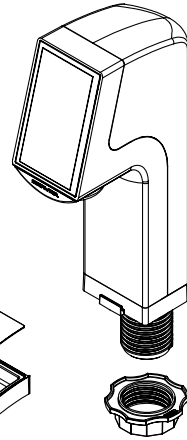
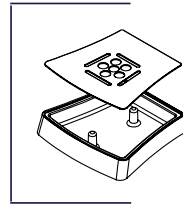


Complete View  
 for Reference

PATENT PENDING

**SERVER**  
 INTELLIGENT BY DESIGN

DRIP TRAY ASSEMBLY  
 101685



6' USB-C CABLE (NOT SHOWN)  
 101053

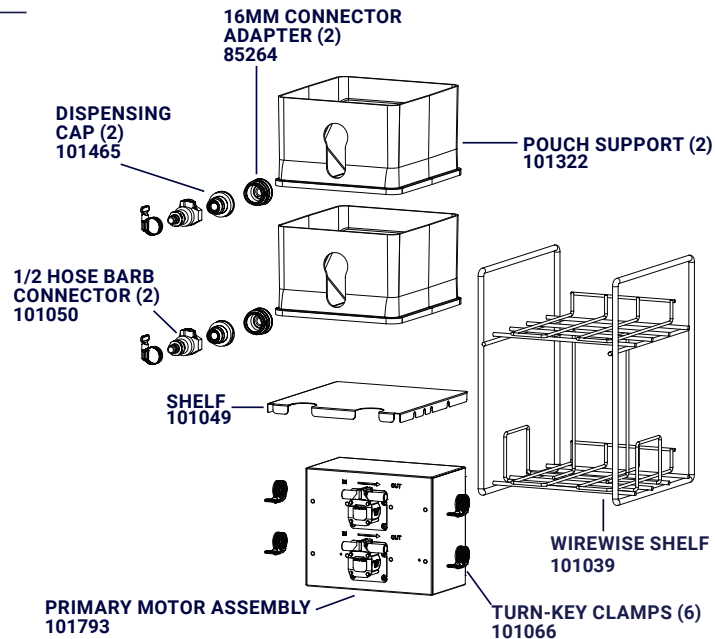
3' USB CABLE (NOT SHOWN)  
 101677

72" TUBE (NOT SHOWN)  
 101543

LOCKING RING (NUT)  
 101300

MULTI+ DISPENSE HEAD WITH DRIP TRAY  
 101297

(1) MULTI+ POUCHED  
 UNDER COUNTER -  
 PRIMARY  
 101795



16MM CONNECTOR  
 ADAPTER (2)  
 85264

DISPENSING  
 CAP (2)  
 101465

POUCH SUPPORT (2)  
 101322

1/2 HOSE BARB  
 CONNECTOR (2)  
 101050

SHELF  
 101049

WIREWISE SHELF  
 101039

PRIMARY MOTOR ASSEMBLY  
 101793

TURN-KEY CLAMPS (6)  
 101066

24" TUBING (2)  
 101055

POWER SUPPLY 100992 &  
 AC PLUG CABLE 101818

11" BRUSH  
 82049

21" BRUSH  
 82526



**Partstown**  
 GENUINE OEM PARTS

CONTINUED ON PAGE 2

# SERVER

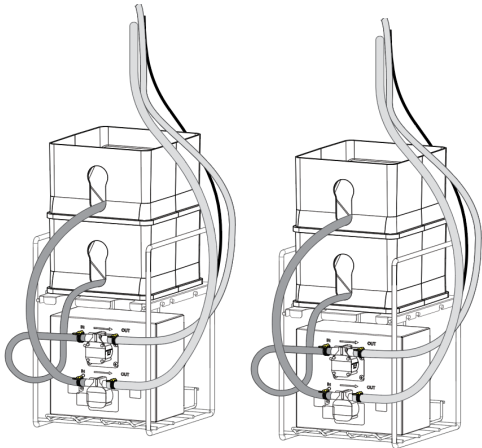
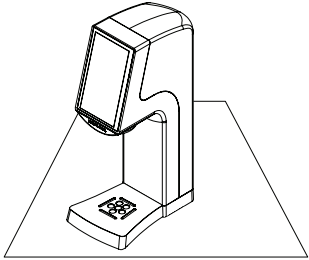
262.628.5600 | 800.558.8722  
spsales@server-products.com

# 101877

IxD™ SERIES

# Multi+™

CONDIMENT DISPENSER

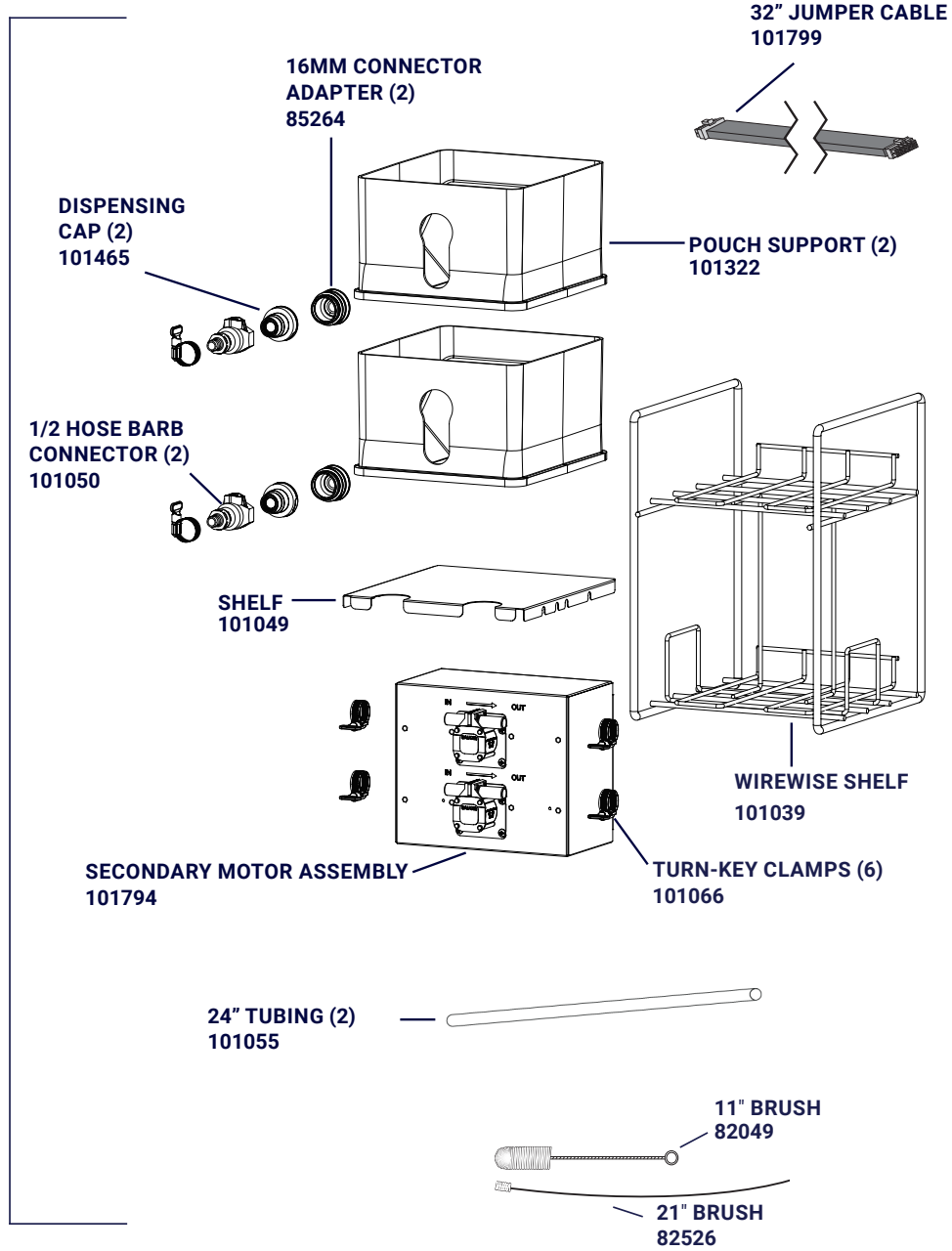


Complete View  
for Reference

PATENT PENDING

SERVER  
INTELLIGENT BY DESIGN

(1) MULTI+ POUCH  
UNDER COUNTER -  
SECONDARY  
101796



**Parts**town  
GENUINE OEM PARTS