

SERVER

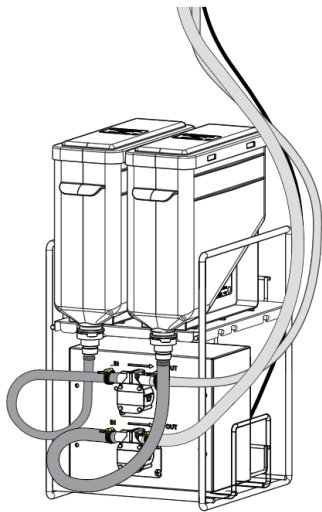
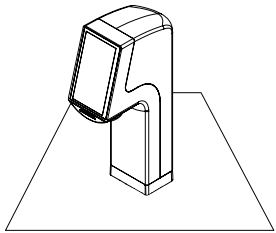
262.628.5600 | 800.558.8722
 spsales@server-products.com

101885

1xD™ SERIES

Multi+™

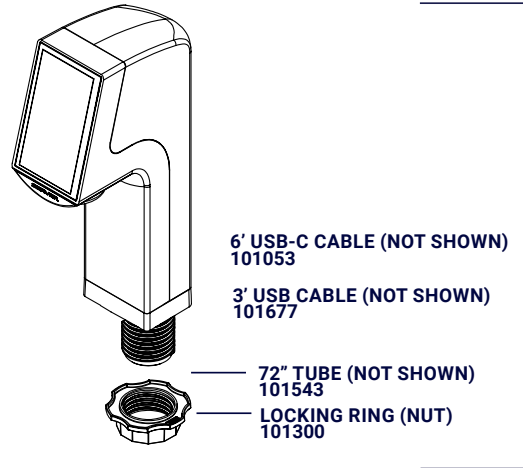
CONDIMENT DISPENSER



Complete View
for Reference

PATENT PENDING

SERVER
 INTELLIGENT BY DESIGN



6' USB-C CABLE (NOT SHOWN)
101053

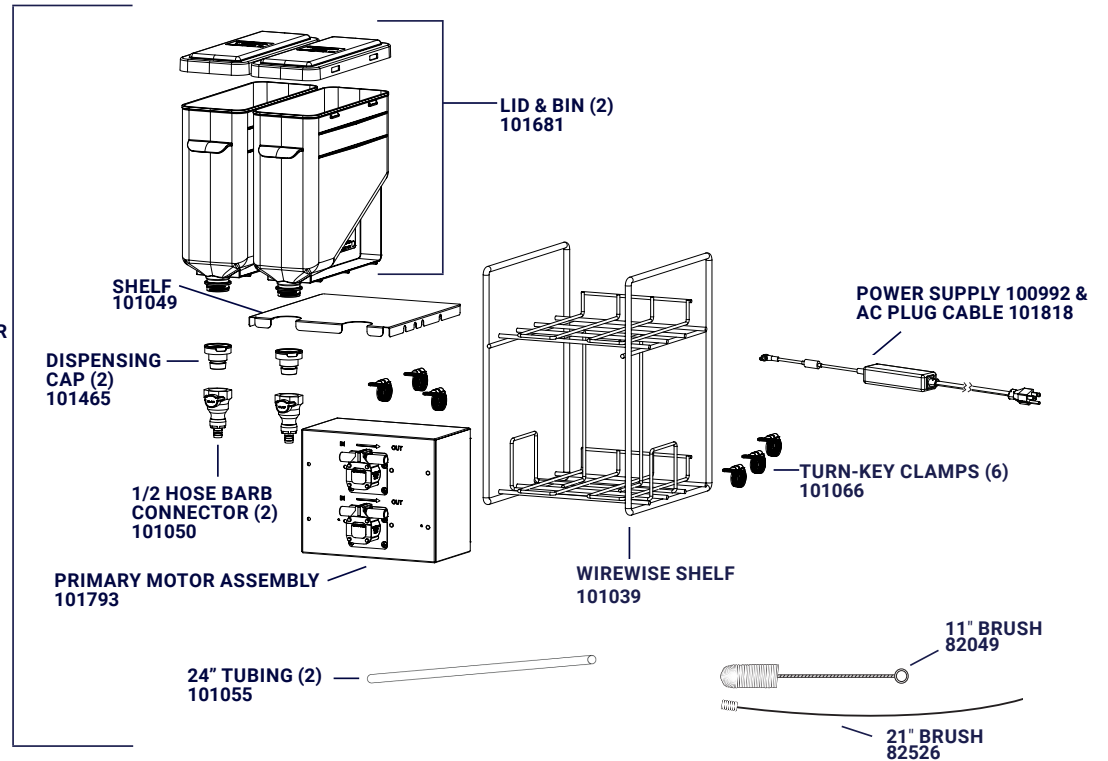
3' USB CABLE (NOT SHOWN)
101677

72" TUBE (NOT SHOWN)
101543

LOCKING RING (NUT)
101300

MULTI+ DISPENSE HEAD WITHOUT DRIP TRAY
101287

MULTI+ DIRECT POUR
UNDER COUNTER
101797



LID & BIN (2)
101681

SHELF
101049

DISPENSING
CAP (2)
101465

1/2 HOSE BARB
CONNECTOR (2)
101050

PRIMARY MOTOR ASSEMBLY
101793

24" TUBING (2)
101055

WIREWISE SHELF
101039

POWER SUPPLY 100992 &
AC PLUG CABLE 101818

TURN-KEY CLAMPS (6)
101066

11" BRUSH
82049

21" BRUSH
82526



Partstown
 GENUINE OEM PARTS