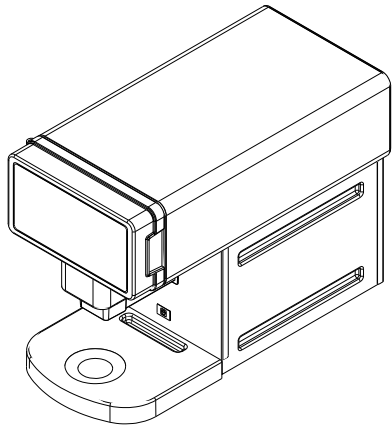
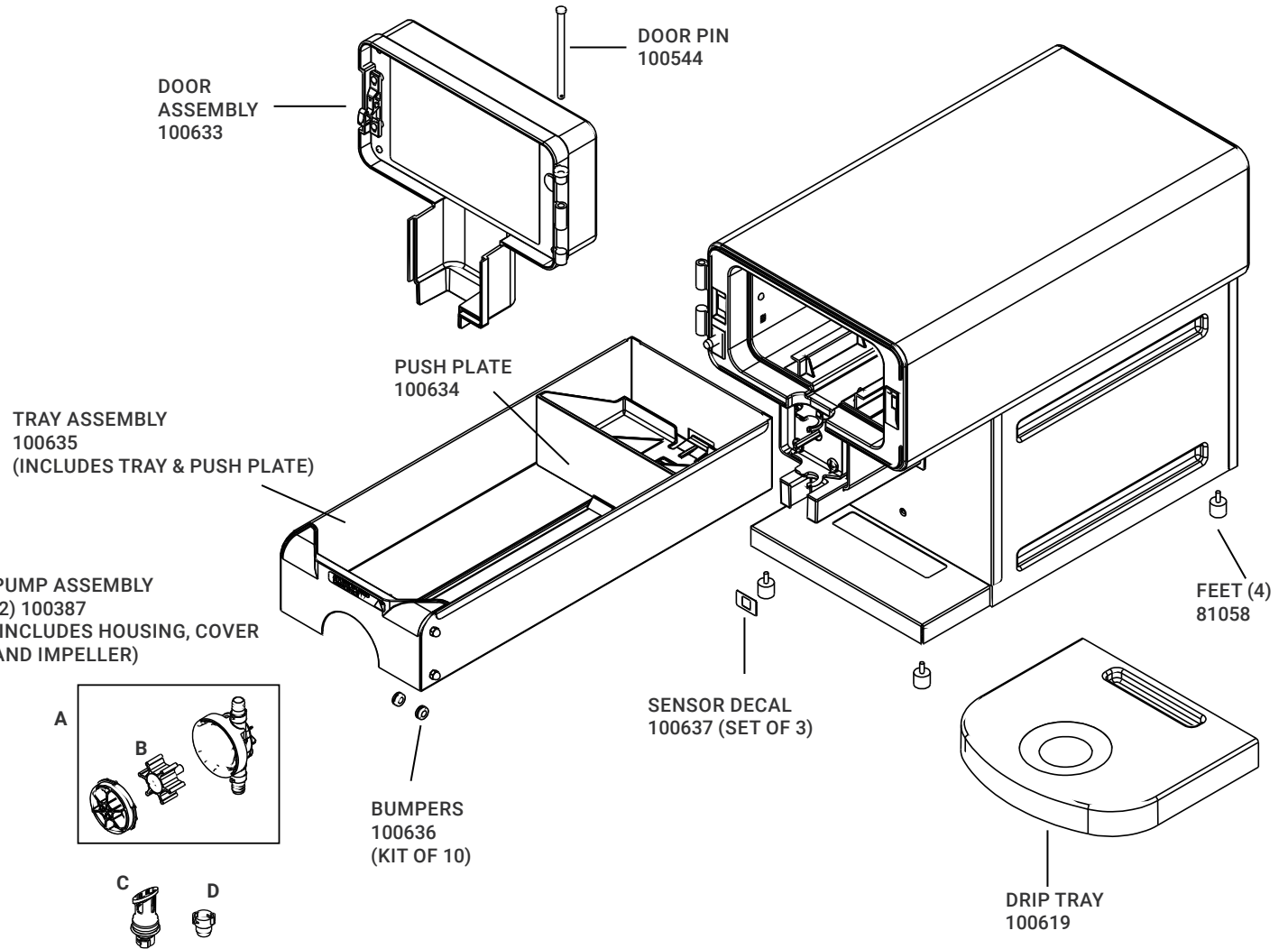


100644 ThermaServ® TSX Heated Dispenser



Complete View
 for Reference



PUMP PARTS & ACCESSORIES

A - 100387 - PUMP ASSEMBLY - HOUSING, COVER & IMPELLER

B - 100386 - REPLACEMENT IMPELLER

C - 100641 - VOLPAK® FITTING (PACK OF 2)

D - 100642 - REDUCER FITTING (PACK OF 2)

