



S E R V E R

SERVE BETTER™

## ConserveWell™

**DROP-IN UNIT**

MODEL: CW-DI

WEIGHT: 3.18 KG / 7 LBS

### UNIT 87844

230V CONT. EUROPE

Programmable Timer

### UNIT 87845

230V AUSTRALIA

Programmable Timer

### UNIT 87846

230V UNITED KINGDOM

Programmable Timer

### UNIT 87847

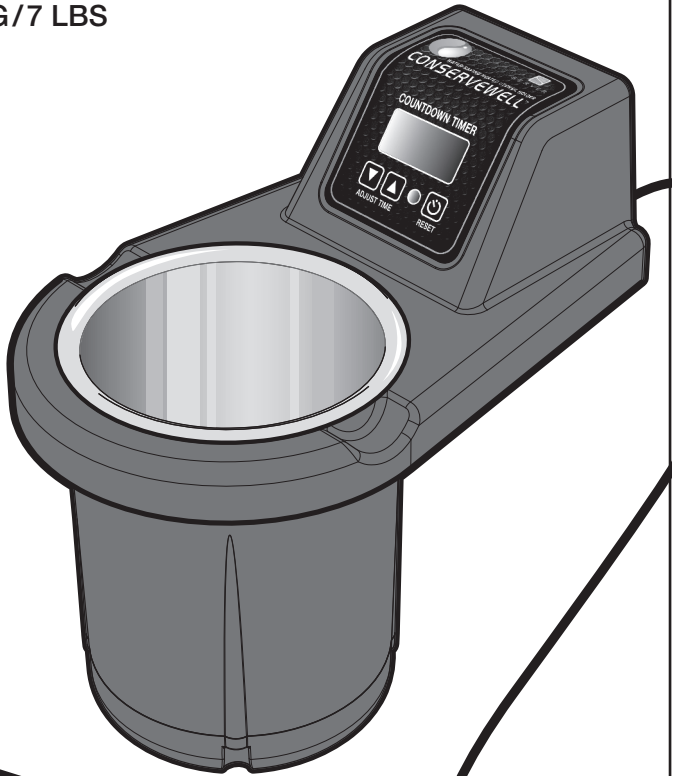
230V CONT. EUROPE

### UNIT 87848

230V AUSTRALIA

### UNIT 87849

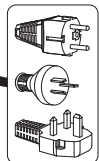
230V UNITED KINGDOM



## Thank You

...for purchasing our ConserveWell™ Drop-In Heated Utensil Holder. This unit holds serving utensils above 60° C, keeping them safe while saving water, energy and money.

SAVE WATER. SAVE MONEY.



# SAFETY

CAUTION-

READ INSTRUCTIONS BEFORE  
USING THIS (MACHINE/UNIT)



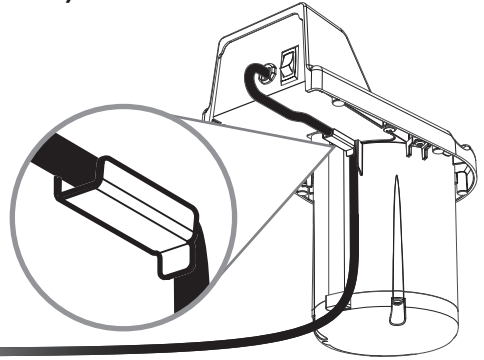
## WARNING- ELECTRICAL SHOCK COULD OCCUR

This unit must be earthed or grounded.  
This requires all three prongs (terminals)  
on cord plug to be plugged into  
power source.



## CAUTION- PREVENT CORD DAMAGE

Secure cord within  
cord guard when plug  
is used below counter.



DO NOT use cord guard  
when cord is plugged in above  
countertop.

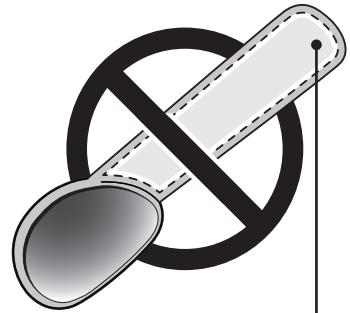


## WARNING- BURNS MAY RESULT

*Do not use liquid or gel-filled  
utensils.*

Handles become extremely hot  
and may cause serious burns.

Only use ConserveWell™  
with utensils safe at  
high temperatures.



### IMPORTANT TO KNOW

*Certain ice cream scoops and spades  
contain heat-conductive fluid inside handles.*



N11942



COMPONENT

NSF International listed.  
This unit is not to be used for serving food.

### BE AWARE OF THE WATER TEMPERATURE

Help prevent bacteria growth. The FDA warns  
that bacteria grow most rapidly in the range of  
temperatures between 5°C—57°C. (41°F—135°F.)

# CLEANING



## WARNING- ELECTRICAL SHOCK COULD OCCUR

- Electrical components of unit could be damaged from water exposure or any liquid.
- Never immerse unit into water or any liquid.
- Never use any water jet or pressure sprayer on unit.
- Ensure unit is “OFF” and unplugged.



## CAUTION- HOT Allow unit to cool before cleaning.



### YES!

Use dishwashing  
soap and hot water

Pan is dishwasher safe.

## CLEAN THE PAN

- 1 CLEAN**  
Wash water pan with soap and hot water.
- 2 RINSE**  
fully with clear water.
- 3 SANITIZE**  
all parts according to local sanitization requirements. All parts in contact with food must be sanitized.
- 4 DRY**  
pan fully with a clean soft cloth.

## CLEAN EXTERNAL SURFACES

- Wipe daily with a clean damp cloth.
- Dry with a clean soft cloth.
- Glass and surface cleaners approved for use in food contact areas may be used.

# CARE OF STAINLESS STEEL

The water pan is constructed of stainless steel.

If you notice corrosion beginning on any stainless steel surface, you may need to change the cleansing agent, sanitizing agent, or the cleaning procedures you are using.

- A mildly abrasive nylon or brass brush may be used to remove any stubborn deposits on interior surfaces of unit.
- Fully rinsing and drying all parts can help prevent corrosion. Elements and minerals in tap water can accumulate on stainless steel parts and create corrosion.
- Do not use abrasive, caustic or ammonia based cleansers.
- Do not use products containing acids, alkalines, chlorine, or salt. These agents can corrode stainless steel.
- Do not use metal scrapers or cleaning pads that could scratch surfaces.

# SETUP

**YOU WILL NEED:**  
Phillips-head Screwdriver



**YOU MAY NEED:**  
Appropriate personnel and tools to cut countertop hole(s)



## **PRACTICE SAFETY. WASH ALL PARTS PROPERLY BEFORE USE.**

See pages 2 & 3.

### **1 SELECT COUNTERTOP HOLE**

for unit to drop into.

Consider best placement for ease of use.

15.24 cm (6") of clearance needed below countertop.

Ensure cord can reach power source.

#### **EXISTING HOLE**

Unit fits within countertop hole cutout diameters 13.97 – 16.5 cm (5.5" – 6.5")

**TIP:** Unit is factory assembled to fit 15.24 cm diameter hole. Skip steps 2 & 3 if countertop hole is that wide.



#### **NEW HOLE**

Use appropriate personnel and tools to cut a 15.24 cm diameter hole.

See below and refer to cutout template for details on an additional optional anti-rotational hole.

## **OPTIONAL**

### **ADD ANTI-ROTATIONAL FOOT**

to prevent unit pivoting within countertop hole.

#### **A REMOVE OUTER SCREW**

from cord guard.

#### **B INSERT ANTI-ROTATIONAL FOOT**

in place of removed screw.

#### **C DRILL FOOT HOLE IN COUNTERTOP**

Refer to cutout template for details.

Drill 1.9 cm diameter hole in countertop.

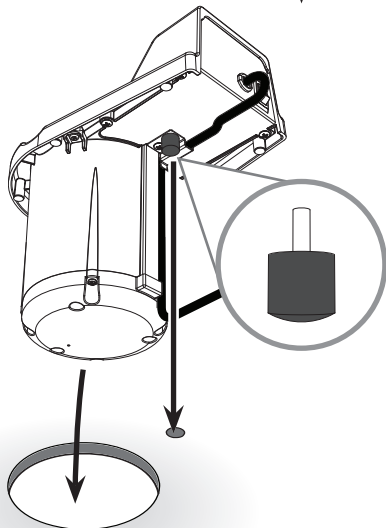
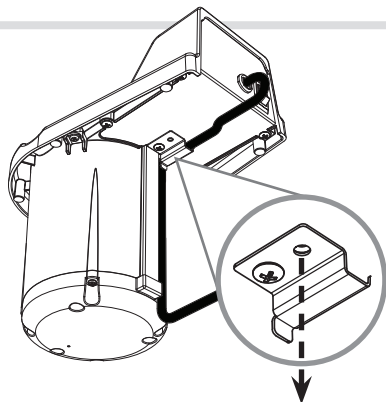
#### **14.6 cm – 16.5 cm diameter hole:**

Locate foot hole center 9.52 cm from large countertop hole center.

#### **13.97 cm up to 14.6 cm diameter hole:**

Locate foot hole center 8.89 cm from large countertop hole center.

**UNIT & ANTI-ROTATIONAL FOOT WILL FIT INTO CORRESPONDING COUNTERTOP HOLES.**

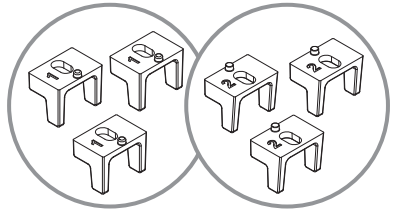


## 2 SELECT LOCATION BLOCK HARDWARE

to create proper fit within countertop hole.

Hole diameter determines which 3 location blocks to use.

If size is between two listed dimensions, refer to smaller diameter.



COUNTERTOP HOLE DIAMETER	LOCATION BLOCKS
13.97 cm .....	No location blocks needed
14.6 cm .....	BLUE, embossed with "1"
15.24 cm .....	BLUE, embossed with "1"
15.87 cm .....	RED, embossed with "2"
16.5 cm .....	RED, embossed with "2"

## 3 ATTACH 3 LOCATION BLOCKS

to underside of rim.

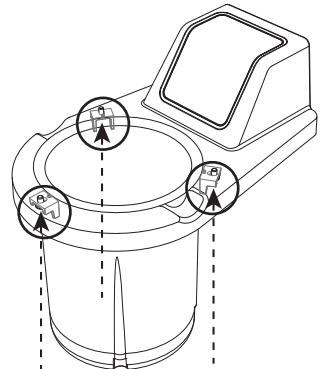
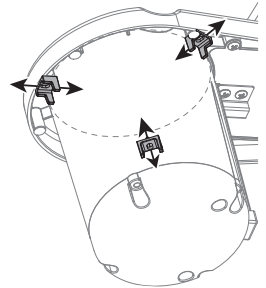
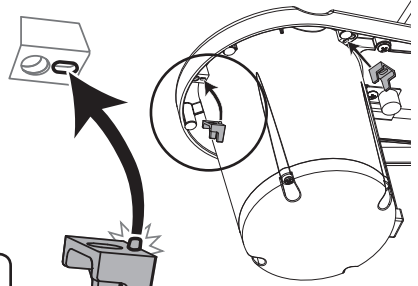
Place each location block peg into slot in underside of rim.

Slide location blocks either away from or towards base.

Refer to chart below.

COUNTERTOP HOLE DIAMETER	LOCATION BLOCK FITTING
13.97 cm .....	Remove all location blocks
14.6 cm .....	BLUE, slide towards base
15.24 cm .....	BLUE, slide away from base
15.87 cm .....	RED, slide towards base
16.5 cm .....	RED, slide away from base

Screw in each location block using 1 screw and Phillips-head screwdriver.

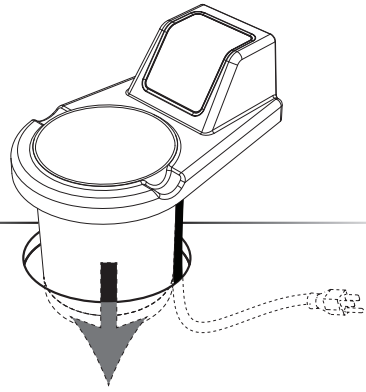


**4****INSERT UNIT**

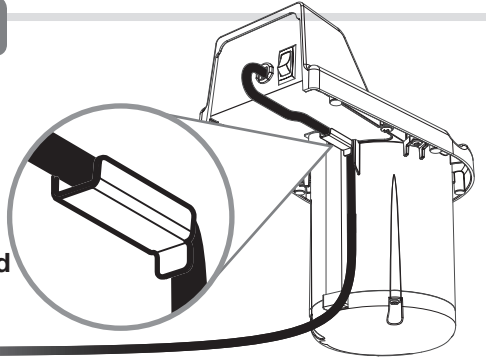
and cord into countertop hole.

Refer to **CORD GUARD** instructions below.

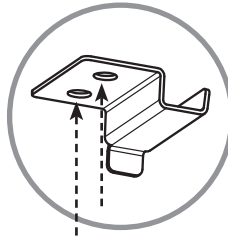
Secure excess cord to prevent accidental damage.

**CORD GUARD****CAUTION-  
PREVENT CORD DAMAGE**

Secure cord within cord guard when plug is used below counter.

**USE CORD GUARD WHEN  
CORD IS PLUGGED IN BELOW  
COUNTERTOP**

Affix cord guard using 2 screws and Phillips-head screwdriver.

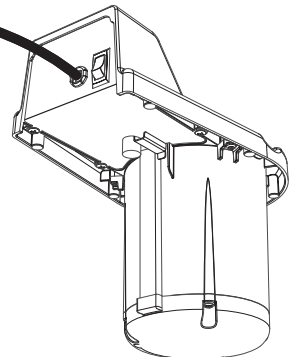
**DO NOT USE CORD GUARD  
WHEN CORD IS PLUGGED IN  
ABOVE COUNTERTOP****A****DETACH CORD GUARD**

Use Phillips-head screwdriver to remove both screws.

**B****RELEASE CORD****C****REATTACH CORD GUARD**

with both screws.

Secure onto unit in case of future need.



## 5 INSERT WATER PAN

- Insert green pan liner into bottom of pan.
- Fill 28 oz. of HOT water up to fill-line in pan.  
Refer to water temperature charts below.
- Insert pan of water into basin.

Pour water into pan only.

### DO NOT OVERFILL

*Water above fill-line in pan may cause unsafe handling temperatures.*

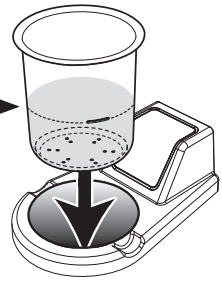
### BE AWARE OF THE WATER TEMPERATURE

Help prevent bacteria growth. The FDA warns that bacteria grow most rapidly in the range of temperatures between 5°C—57°C (41°F—135°F).

#### WATER HEATING TIMES (When unit is *not* pre-heated)

INITIAL WATER TEMP.	TARGET TEMPERATURE		
	57°C	60°C	62°C
21°C	40 min.	45 min.	50 min.
43°C	25 min.	30 min.	40 min.
49°C	20 min.	20 min.	30 min.
54°C	15 min.	20 min.	25 min.

**YES** →  
Proper water level in PAN



**NO**  
Never pour water directly into BASIN



#### WATER HEATING TIMES (In pre-heated unit)

INITIAL WATER TEMP.	TARGET TEMPERATURE		
	57°C	60°C	62°C
21°C	30 min.	35 min.	40 min.
43°C	15 min.	20 min.	25 min.
49°C	5 min.	10 min.	15 min.
54°C	5 min.	5 min.	10 min.

## 6 PLUG CORD INTO POWER SOURCE

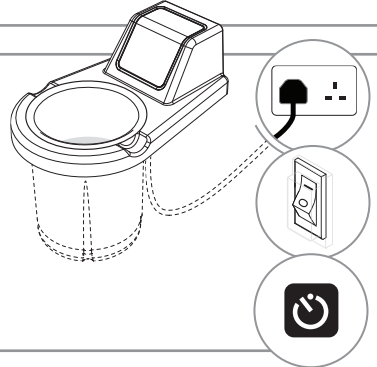
## 7 TURN UNIT ON

Press switch at back of unit.

## 8 PRESS RESET TO START

countdown cycle.

Timer is programmed for 4 hour cycles.

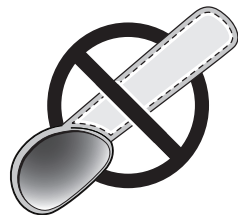


### ONLY USE WITH UTENSILS SAFE IN HIGH TEMPERATURES



#### WARNING- BURNS MAY RESULT

*Do not use liquid or gel-filled utensils. Handles become extremely hot and may cause serious burns.*



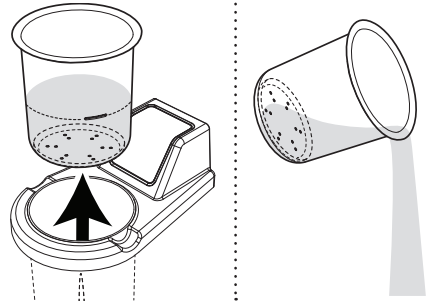
# WATER CHANGE-OUT

## 1 REMOVE & EMPTY PAN OF WATER



**CAUTION- HOT**  
Unit, pan and water will be hot.

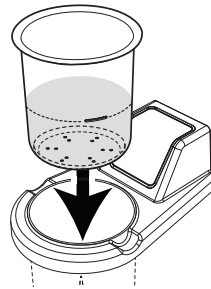
Take proper care while removing pan.  
Carefully pour water down a drain.  
Keep the pan liner inside pan.



## 2 REFILL & RETURN WATER PAN TO BASIN

Fill 28 oz. of new **HOT** water up to  
fill-line in pan.  
Insert pan of water into basin.

**Never pour water**  
**directly into basin of unit.**  
Pour water into pan only.



# USING THE COUNTDOWN TIMER

*Instructions for units with programmable timers.*

## 1 PRESS RESET TO START COUNTDOWN CYCLE

Timer is factory programmed for 4 hour cycles.

*When countdown timer ends:  
Alarm will beep.  
Display will indicate "END"*



## 2 PRESS RESET TO STOP ALARM



## 3 CHANGE OUT WATER

Complete "WATER CHANGE-OUT" steps listed above.

## 4 PRESS RESET BUTTON

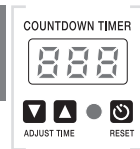
to restart the countdown cycle.



*To replace water **BEFORE**  
countdown cycle ends,  
follow steps 2—4.*



# PROGRAMMING TIMER



Instructions for units with programmable timers.

## SET COUNTDOWN CYCLE TIME

### ENTER TIME PROGRAM MODE:

Simultaneously press and hold the **UP** and **RESET** buttons for 10 seconds.



Red light indicates unit is in timer program mode.

### SELECT DESIRED COUNTDOWN TIME:

Press the **UP** or **DOWN** buttons.



### LOCK IN TIME SETTING AND EXIT PROGRAM MODE:

Press and hold the **RESET** button for 3 seconds.



## SET ALARM VOLUME

### ENTER ALARM PROGRAM MODE:

Simultaneously press and hold the **DOWN** and **RESET** buttons for 10 seconds.



Beeping indicates unit is in alarm program mode.

### SELECT ALARM VOLUME:

Press the **UP** or **DOWN** buttons. A beep accompanies each level to indicate the volume setting. Volume level is shown in display. Adjust number to desired volume level.



### VOLUME LEVELS

- 3- Highest volume
- 2- Average volume
- 1- Lowest volume
- 0- Silent (No audible alarm)

### LOCK IN VOLUME SETTING AND EXIT PROGRAM MODE:

Press and hold the **RESET** button for 3 seconds.



# UNIT TAKE-DOWN



## CAUTION- HOT

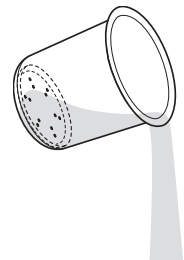
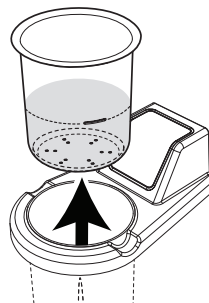
Allow unit to cool first or take proper care with hot surfaces.

- 1 **PRESS SWITCH TO OFF**
- 2 **UNPLUG CORD**
- 3 **REMOVE PAN FROM BASIN**

Pour water down a drain.

Clean pan. (See page 3.)

Dry pan fully with clean soft cloth.



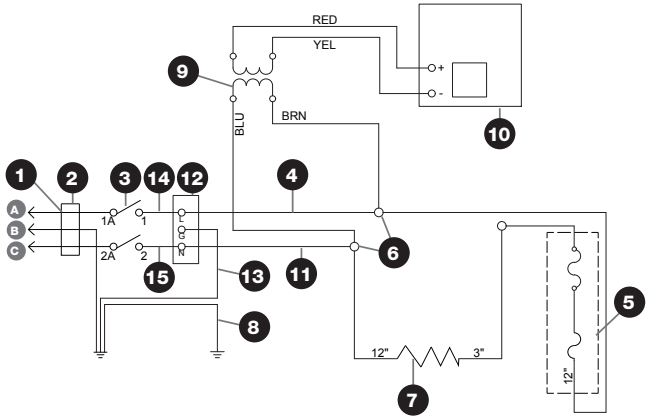
# WIRING DIAGRAM

## 87844, 87845, 87846

230V

### Programmable Timer

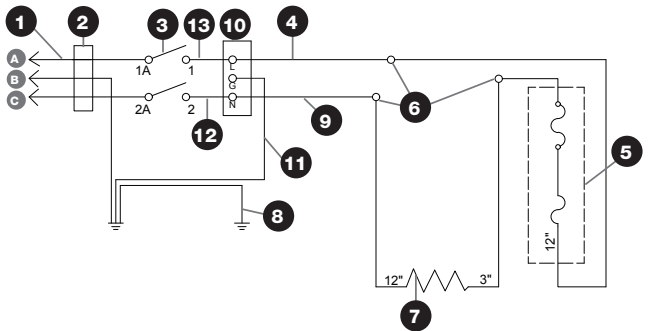
- 1** Cord Assembly  
230V  
A Brown  
B Yellow/Green  
C Blue
- 2** Bushing/Strain Relief
- 3** Rocker Switch
- 4** Wire Assembly, 18GA, Black, 6"
- 5** Thermal Assembly, Cut-out
- 6** Terminal
- 7** 100W Silicone Element
- 8** Wire Assembly, 18GA, Green, 14"
- 9** 12VAC 230V Transformer Assembly
- 10** Timer Board
- 11** Wire Assembly, 18GA, White, 6"
- 12** Terminal Board EMI Filter
- 13** Wire Assembly, 18GA, Green, 6"
- 14** Wire Assembly, 18GA, Black, 6"
- 15** Wire Assembly, 18GA, White, 6"



## 87847, 87848, 87849

230V

- 1** Cord Assembly  
230V  
A Brown  
B Yellow/Green  
C Blue
- 2** Bushing/Strain Relief
- 3** Rocker Switch
- 4** Wire Assembly, 18GA, Black, 6"
- 5** Thermal Assembly, Cut-out
- 6** Terminal
- 7** 100W Silicone Element
- 8** Wire Assembly, 18GA, Green, 14"
- 9** Wire Assembly, 18GA, White, 6"
- 10** Terminal Board EMI Filter
- 11** Wire Assembly, 18GA, Green, 6"
- 12** Wire Assembly, 18GA, White, 6"
- 13** Wire Assembly, 18GA, Black, 6"



# TROUBLESHOOTING

## UNIT DOES NOT HEAT?

- Ensure cord is securely plugged in.
- Ensure power is available from source.
- Ensure unit is on.

## UNIT OVERHEATING?

- Ensure water has not spilled or leaked from pan into the basin.

### CAUTION:

#### WATER IN BASIN MAY STEAM & BURN.

- Allow unit to cool. Pour out any water and dry basin.

## UTENSILS OR TOP OF PAN GETTING TOO HOT?

- **Do not use liquid or gel-filled utensils.** Handles become extremely hot. Only use utensils safe at high temperatures.
- Limit water volume to the fill-line. (Do not exceed 28 oz. of water.)

### DO NOT OVERFILL

**Water above fill-line in pan may cause unsafe handling temperatures.**

Overfilling pan with water may conduct excessive heat to utensil handles or top of pan.

## WATER NOT REACHING 60° C?

- Make sure to use HOT water in pan. Refer to temperature charts on page 5.
- Damaged pan may not heat properly. Inspect and replace pan if needed.



## SERVER PRODUCTS LIMITED WARRANTY

# 2 YEAR WARRANTY

Server Products equipment is backed by a two-year limited warranty against defects in materials and workmanship.

For complete warranty information go to:

**[www.Server-Products.com](http://www.Server-Products.com)**

## GENERAL SERVICE, REPAIR OR RETURNS

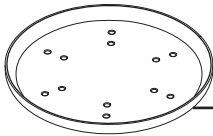
Before sending any item to Server Products for service, repair, or return, contact Server Products customer service to request a **Return Authorization Number**. Merchandise must be sent to Server Products with this number. Service is extremely prompt. Typically, units are repaired and ship out within 48 hours of receipt.

Merchandise being returned for credit must be in new and unused condition and not more than 90 days old and will be subject to a 20% restocking charge. Electrical parts (thermostats, heating elements, etc.) are not returnable.

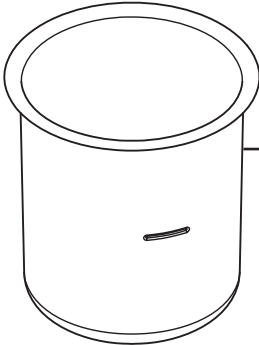
**Servicing Cord:** Specific tools are required for safe and proper power supply cord removal and installation. If cord must be replaced, only a representative of the OEM (original equipment manufacturer) or a qualified technician may replace cord. Cord must meet code designation H05 RN-F requirements.

# CONSERVEWELL™ DROP-IN

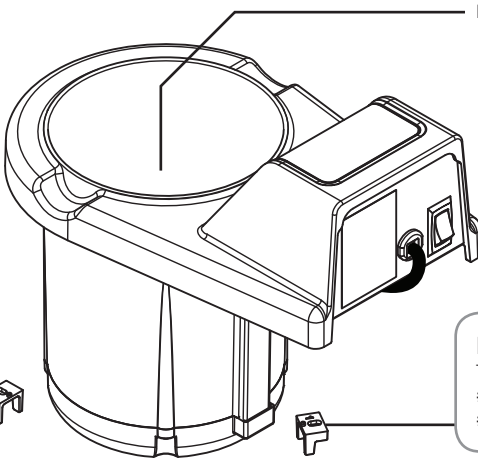
MODEL: CW-DI



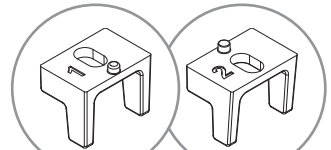
PAN LINER  
87774



PAN  
87771



BASIN



LOCATOR BLOCK HARDWARE

Two Sets Supplied:

#1 BLUE LOCATOR BLOCKS (QTY 3) 87785

#2 RED LOCATOR BLOCKS (QTY 3) 87786



CORD GUARD  
87795



ANTI-ROTATIONAL FOOT  
81058

## NEED HELP?

### Server Products Inc.

3601 Pleasant Hill Road  
Richfield, WI 53076 USA



262.628.5600 | 800.558.8722



SPSALES@SERVER-PRODUCTS.COM

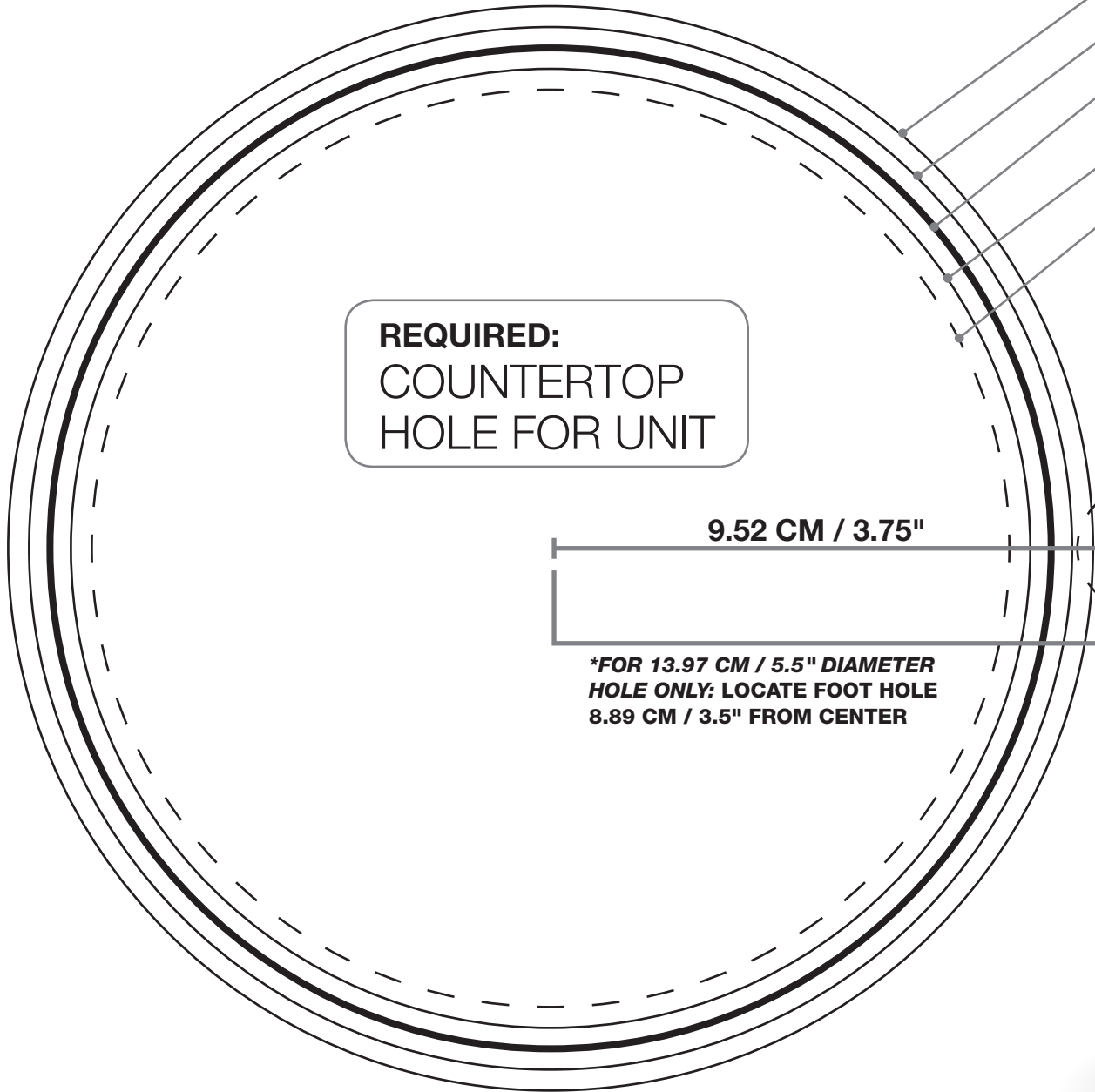
Please be prepared with your **Series Number** and **Description** located on the back of the unit.

Individual **Part Numbers** listed above.

# COUNTERTOP CUTOUT TEMPLATE

READ MANUAL FOR COMPLETE INSTRUCTIONS

(FRONT OF UNIT)



**REQUIRED:**  
COUNTERTOP  
HOLE FOR UNIT

9.52 CM / 3.75"

**\*FOR 13.97 CM / 5.5" DIAMETER  
HOLE ONLY: LOCATE FOOT HOLE  
8.89 CM / 3.5" FROM CENTER**

16.5 CM / 6.5" DIAMETER

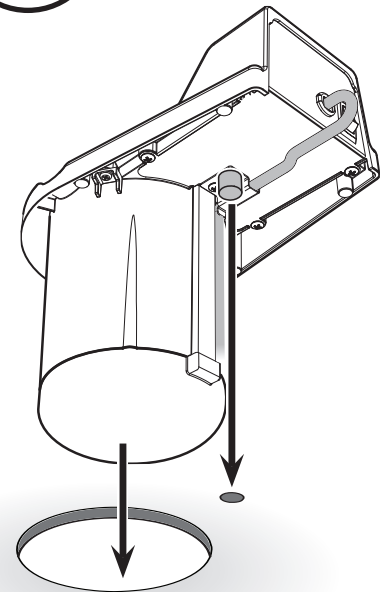
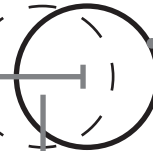
15.87 CM / 6.25" DIAMETER

**15.24 CM / 6" DIAMETER**  
RECOMMENDED SIZE FOR NEW INSTALLATION

14.6 CM / 5.75" DIAMETER

13.97 CM / 5.5" DIAMETER\*

**OPTIONAL:**  
ANTI-ROTATIONAL  
FOOT HOLE  
1.9 CM / 0.75" DIAMETER



(BACK OF UNIT)