

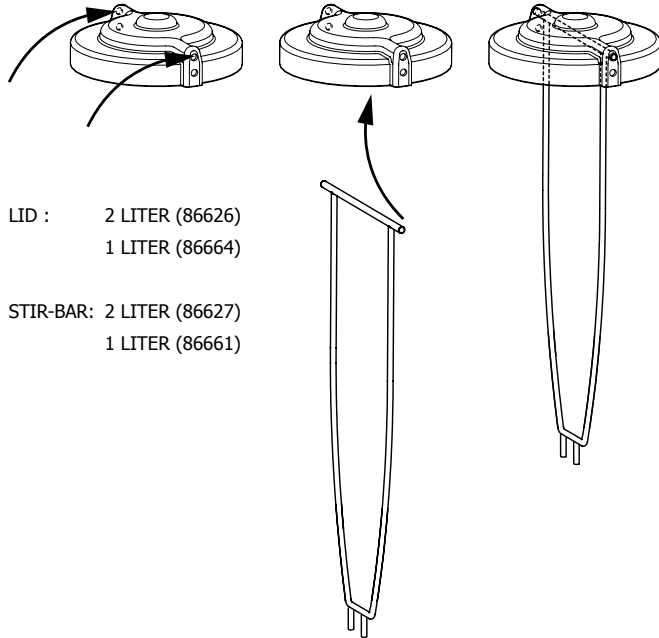


S E R V E R
SERVE BETTER™

DRY PRODUCT DISPENSER
FREE-FLOW KIT
86663 1 LITER
86625 2 LITER

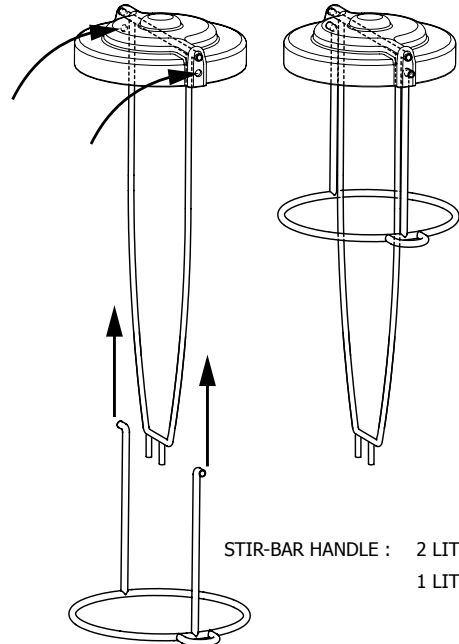
ASSEMBLE STIR-BAR AND STIR-BAR HANDLE ONTO LID

1 INSTALL STIR-BAR INTO TOP SET OF HOLES IN LID.



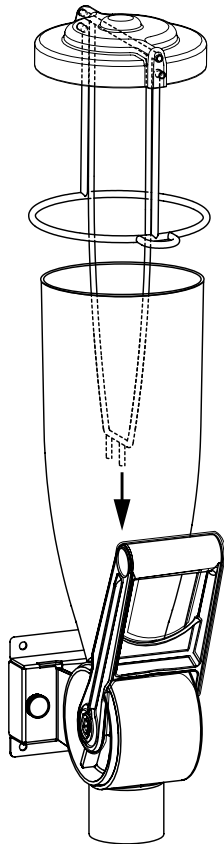
LID : 2 LITER (86626)
1 LITER (86664)

STIR-BAR: 2 LITER (86627)
1 LITER (86661)



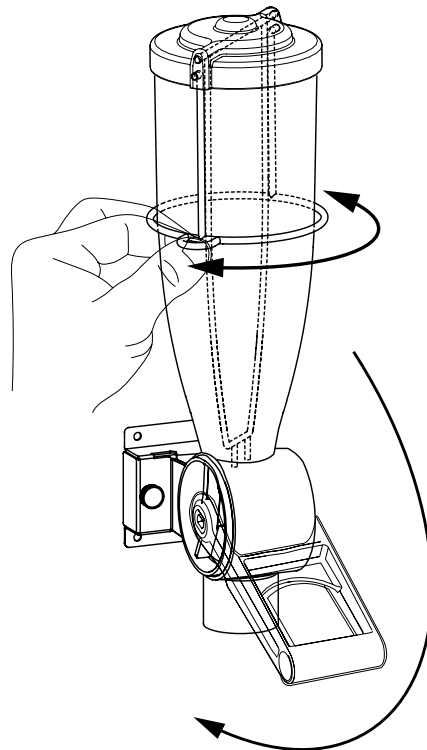
STIR-BAR HANDLE : 2 LITER (86628)
1 LITER (86662)

INSTALLING ON UNIT



3 SLIDE LID/STIR-BAR/HANDLE ASSEMBLY ONTO UNIT WITH STIR-BAR HANDLE ON OUTSIDE OF DISPENSER CYLINDER CHAMBER.

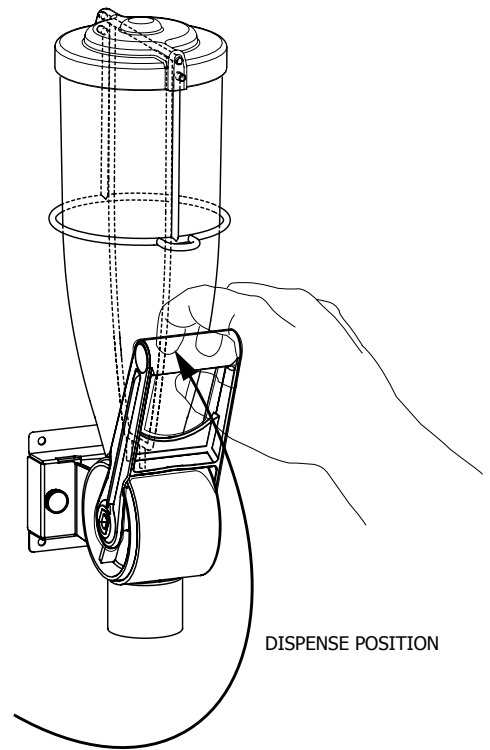
4 ROTATE HANDLE BACK AND FORTH TO FREE UP PRODUCT FLOW INTO DISPENSER CYLINDER CHAMBER.



FILL POSITION

2 HOLDING STIR-BAR IN PLACE, SLIDE STIR-BAR HANDLE AROUND STIR-BAR AND INSTALL STIR-BAR HANDLE INTO HOLES BENEATH STIR-BAR.

5 AFTER FREEING PRODUCT FLOW INTO DISPENSER CYLINDER CHAMBER, MOVE UNIT DISPENSER HANDLE UP TO DISPENSE PRODUCT.



DISPENSE POSITION