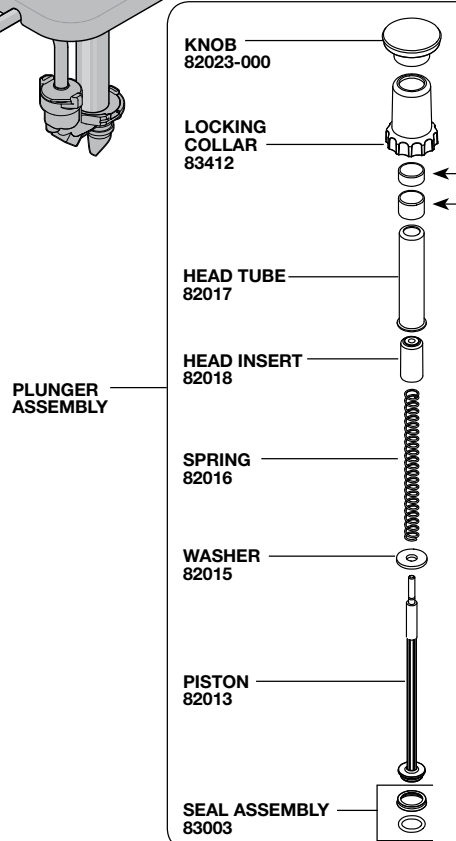
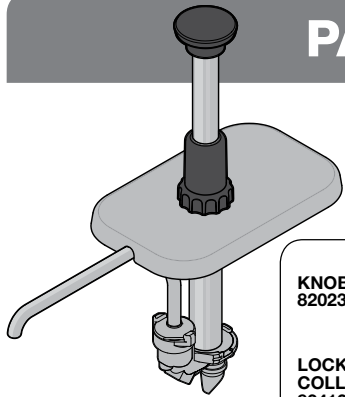


# PARTS for PUMP 85820



## PORTION CONTROL

PUMP DELIVERS 1 FL OZ PORTIONS

To reduce portion, add GAGING COLLAR(S)

- 83529 SM COLLAR: 1/8 fl oz reduction
- 82022 LG COLLAR: 1/4 fl oz reduction

| COLLAR(S) USED | PORTION RESULT |
|----------------|----------------|
| None           | 1 fl oz        |
| 1 Sm           | 7/8 fl oz      |
| 1 Lg           | 3/4 fl oz      |
| 1 Lg + 1 Sm    | 5/8 fl oz      |
| 2 Lg           | 1/2 fl oz      |
| 2 Lg + 1 Sm    | 3/8 fl oz      |
| 3 Lg           | 1/4 fl oz      |
| 3 Lg + 1 Sm    | 1/8 fl oz      |

**LID**  
85829

**CYLINDER**  
82362

**DISCHARGE TUBE**  
85827

**O-RING, 1"**  
05127

**GASKET**  
88554

**VALVE BODY**  
82635

**FOOD EQUIPMENT LUBRICANT**  
40179

**BRUSH**  
82049

**BRUSH**  
82526

# TROUBLESHOOTING

## PROBLEMS WITH FLOW OR PORTIONS?

- Clean pump.
- **Food product** may be too thick or contain a solid that will not pass through pump.
- If used: Ensure **gaging collar(s)** are undamaged and properly installed on head tube.

## PLUNGER DOESN'T RETURN TO TOP AFTER DISPENSING?

- Ensure that the **spring** is functional. Replace broken spring if necessary.
- Ensure that the **washer** is installed between the spring and piston head.

## FOOD PRODUCT OZES OUT AROUND LOCKING COLLAR?

- Ensure **seal** is properly installed on piston.
- TIP:** Seal has a slight taper. Install with flat side towards top, flared side down.

## LEAKS NEAR THE VALVE BODY?

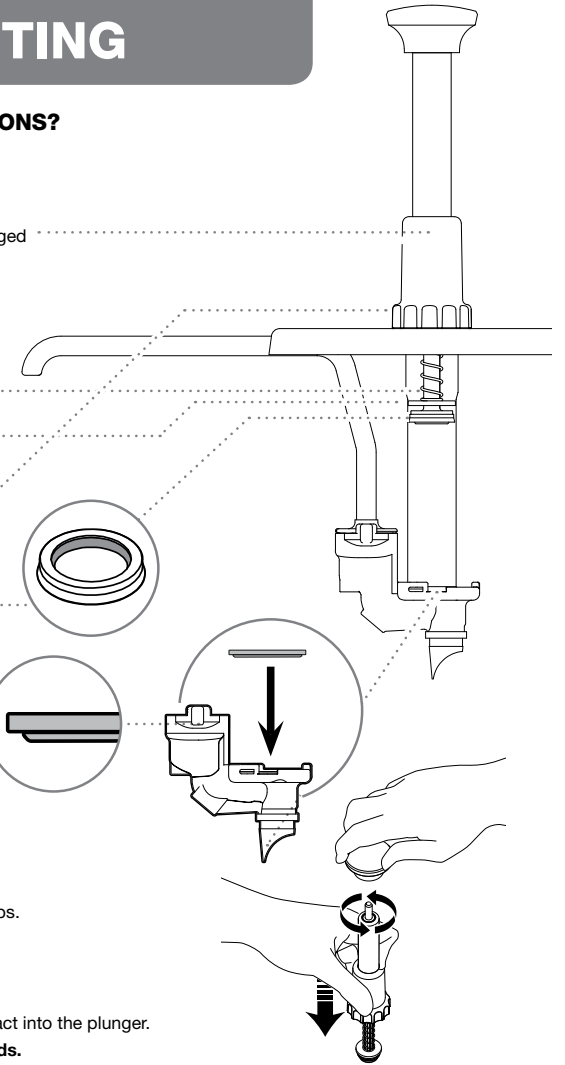
- Ensure **gasket** is properly installed. Flat side of gasket should face up.

## PUMP DRIPS?

- Clean **discharge tube** with supplied brush.
- Inspect all **o-rings**. Replace if damaged.
- **Food product** may be too thin. Visit [www.Server-Products.com](http://www.Server-Products.com) for more tips.

## CAN'T FIND THREADS FOR KNOB?

- Look **inside the cylinder**.
- If the knob is unscrewed, piston threads retract into the plunger. Press the collar down to expose the threads.



# CLEANING

Use dishwashing soap, hot water and nylon brush. Pump is dishwasher safe.

## 1 FLUSH & RINSE

all pump surfaces with hot water. Place lower end of pump into container of hot water and operate pump until all remaining product is expelled and only hot water is discharged.

## 2 DISASSEMBLE & CLEAN

all washable parts with soap and hot water.

### USE SUPPLIED BRUSH

to thoroughly clean inside discharge tube and any confined areas.

## 3 RINSE

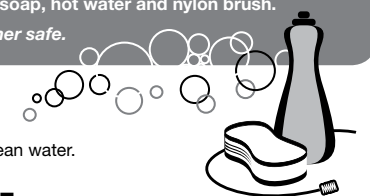
fully with clean water.

## 4 SANITIZE

all parts according to local sanitization requirements. All parts in contact with food must be sanitized.

## 5 AIR DRY

all parts fully.



# ASSEMBLY

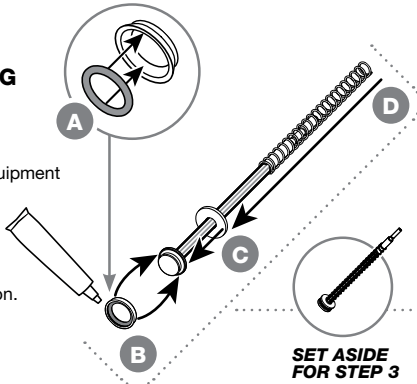
## 1 PREPARE PISTON

**A INSTALL SMALL O-RING**  
into seal.

**B INSTALL SEAL**  
onto piston head. Apply food equipment  
lubricant to outside of seal.  
*TIP: Flared end of seal should  
face away from piston head.*

**C SLIDE WASHER** onto piston.

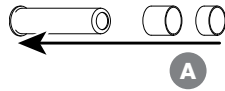
**D SLIDE SPRING** onto piston



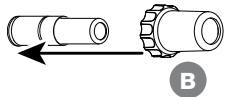
**SET ASIDE  
FOR STEP 3**

## 2 PREPARE HEAD TUBE

**A OPTIONAL:**  
**ADD GAGING COLLAR(S)**  
to reduce portion size

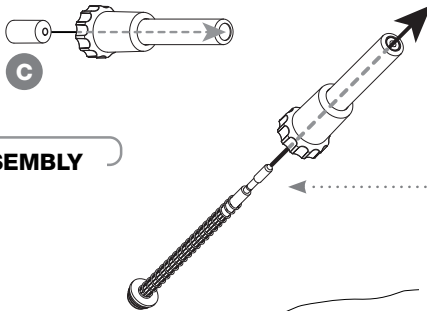


**B SLIDE LOCKING COLLAR ON**

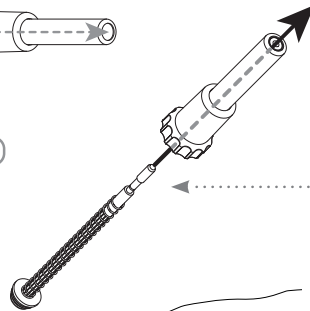


**C SLIDE HEAD INSERT**  
(beveled edge first)  
into head tube.

*TIP: The end  
with smaller hole  
should go in first.*

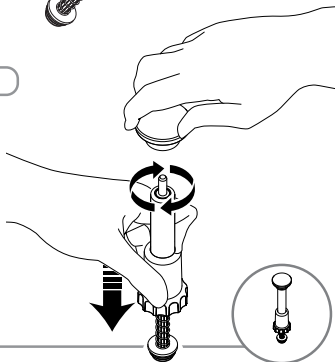


**3 INSERT PISTON ASSEMBLY**  
into head tube assembly.



## 4 INSTALL KNOB

Press head tube down to compress  
spring and expose piston threads.  
Rotate knob clockwise to secure.

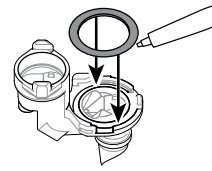


## 5 INSTALL GASKET

into valve body. Apply food equipment  
lubricant on gasket.



*TIP: Flat side of gasket  
should face up.*

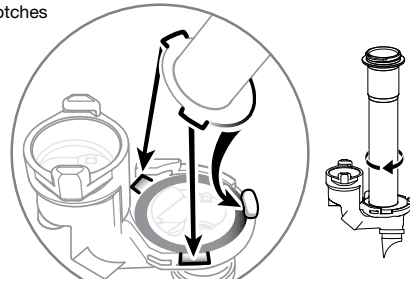


**6 INSTALL CYLINDER**  
onto valve body.

**TILT** wide edge of cylinder under  
nub on rim of valve body.

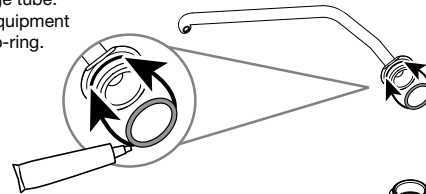
**FIT TABS** on cylinder into  
corresponding notches  
in valve body.

**PRESS DOWN**  
firmly and  
**ROTATE**  
cylinder  
clockwise  
to secure  
into slots.



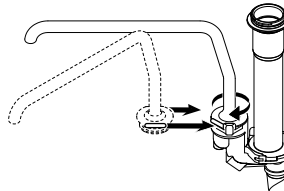
## 7 INSTALL O-RING

onto discharge tube.  
Apply food equipment  
lubricant on o-ring.



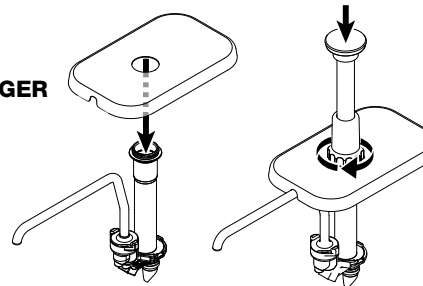
## 8 INSTALL DISCHARGE TUBE

onto valve body. Rotate  
discharge tube clockwise  
and press down firmly to  
secure into slots on valve body.

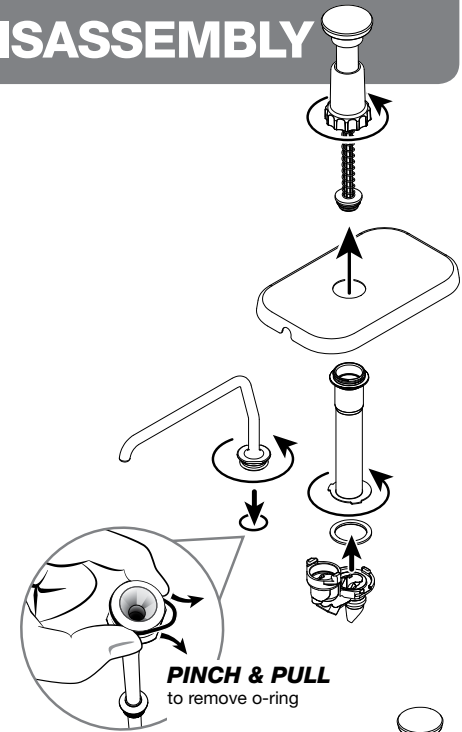


## 9 INSTALL LID

## 10 INSTALL PLUNGER ASSEMBLY



# DISASSEMBLY



**PINCH & PULL**  
to remove o-ring

