



S E R V E R

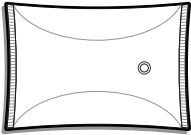
SERVE BETTER™



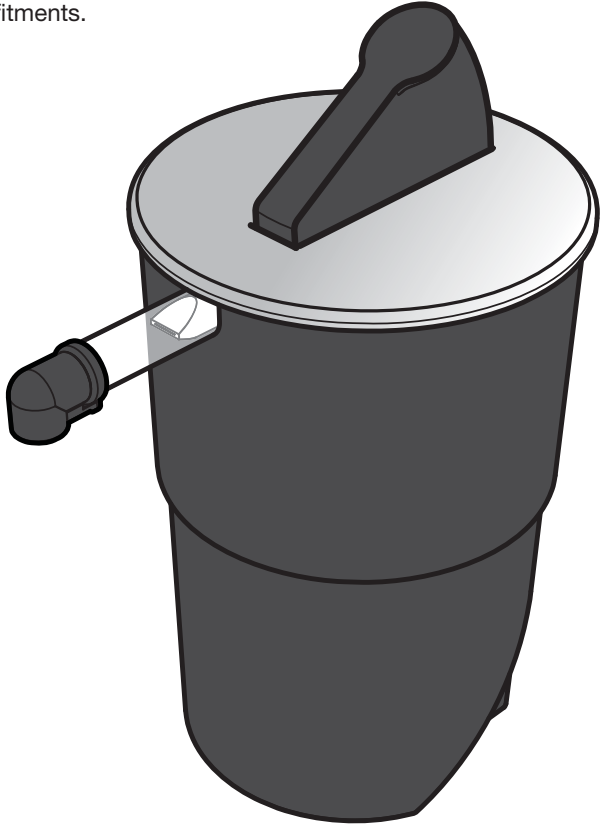
Wendy's

Server Express™

Used with pouches up to
1½ gallons with 16mm fitments.



MODEL:
SE
07973



Thank You

...for purchasing our Server Express™ Pouched
Condiment Dispenser. This portion controlled unit is
sealed and sanitary, achieves excellent evacuation and
has only a few parts for easy clean-up.

SIMPLIFY CONDIMENT MANAGEMENT — GO POUCHED

SAFETY



According to food and safety regulations, most foods must be stored and/or served at certain temperatures or they could become hazardous. Check with local food and safety regulators for specific guidelines. Server Products, Inc. cannot be responsible for the serving of potentially hazardous product.

IMPORTANT

Clean, rinse, sanitize, and dry parts daily or regularly to comply with local sanitization requirements.



NSF International lists this pump as:
"Not acceptable for dispensing potentially hazardous foods."

ADA
compliant

TAKE-DOWN & DISASSEMBLY

1 REMOVE LID

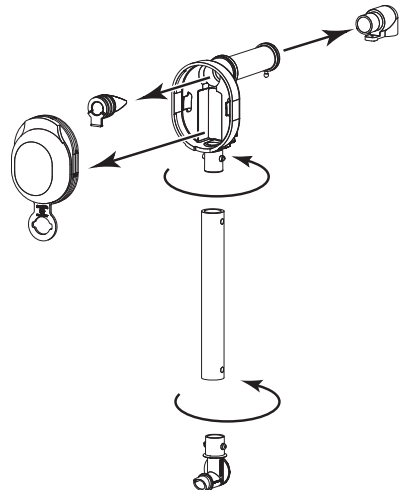
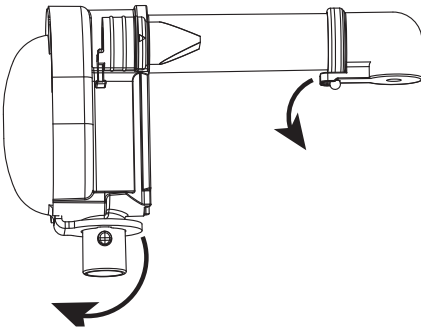
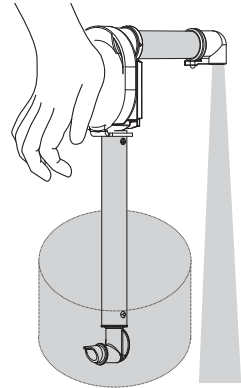
2 REMOVE PUMP & POUCH

3 DETACH PUMP FROM POUCH

4 FLUSH & RINSE PUMP

Place lower end of pump into container of hot water. Pump until all remaining product is expelled and only water flows from discharge tube.

5 DISASSEMBLE



CLEANING

1 CLEAN

After disassembling, clean all washable parts with soap and hot water.

2 RINSE

fully with clear water.

3 SANITIZE

all parts according to local sanitization requirements. All parts in contact with food must be sanitized.

4 AIR DRY

all parts fully.



YES!

Use dishwashing soap and hot water

- External surfaces may be wiped clean with a clean damp cloth.
- Glass and surface cleaners approved for use in food contact areas may be used.
- Do not use abrasive, caustic or ammonia based cleansers.
- Do not use metal scrapers or cleaning pads that could scratch surfaces.

CARE OF STAINLESS STEEL

This unit includes components constructed with stainless steel— one of the best materials for food serving and storage.

If you notice corrosion beginning on any stainless steel surface, you may need to change the cleansing agent, sanitizing agent, or the cleaning procedures you are using.

- A mildly abrasive nylon or brass brush may be used to remove any stubborn food or mineral deposits on interior surfaces of unit.
- Fully rinsing and drying all parts can help prevent corrosion. Elements and minerals in tap water can accumulate on stainless steel parts and create corrosion.
- Do not use products containing acids, alkalines, chlorine, or salt. These agents can corrode stainless steel.

SERVER EXPRESS™ 07973

LEVER

07014

HINGE PIN (2)

07161

LID

07051

ROLLER

07056

LID

ASSEMBLY

07052

11" BRUSH

82049

PUMP

07398

ROUND VESSEL

07047

PINCH VALVE

07798

PUMP HOUSING

07388

DOME

07383

DISCHARGE FITTING

07796

TUBE

07089

CONNECTOR

07381

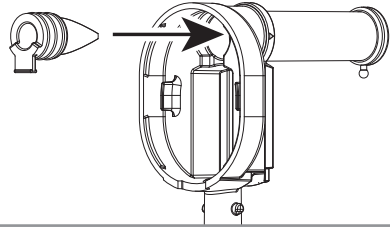
PUMP ASSEMBLY

WASH ALL PARTS
PROPERLY BEFORE USE. See page 3.

1 INSERT PINCH VALVE

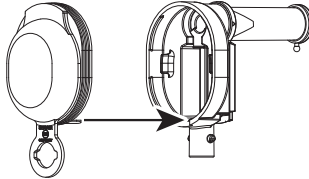
into pump housing.

TIP: Squeeze the pinch valve open before installation to ensure it isn't stuck shut.

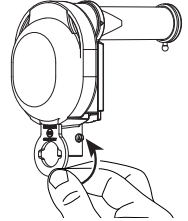


2 INSTALL DOME

Press dome into housing fully.
Ensure valve flap covers bottom opening.

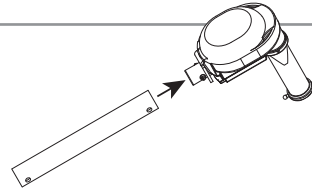


Wrap loop around lower opening to secure dome.



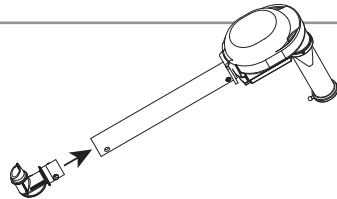
3 INSTALL TUBE

Lubricate with a small amount of clean water.
Rotate and position until both pegs on housing fit into holes on tube.



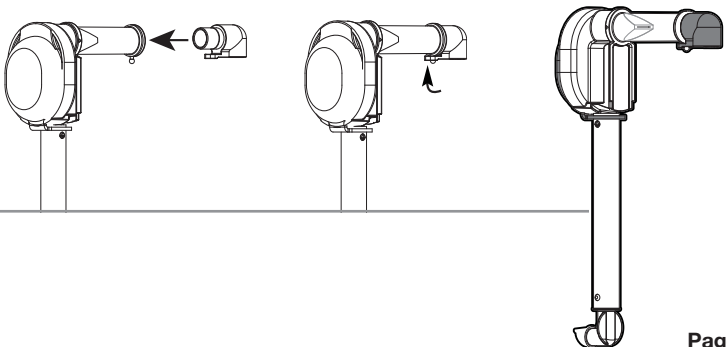
4 INSERT CONNECTOR

Lubricate with a small amount of clean water.
Rotate and position until both pegs on connector fit into holes on tube.
Connector must point away from end of discharge tube.



5 INSERT DISCHARGE FITTING

into pump housing discharge tube.
Place loop of fitting around peg on end of discharge tube to secure.



SETUP

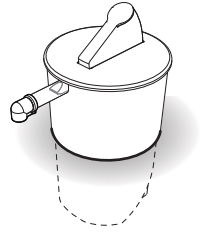


PRACTICE SAFETY. WASH ALL PARTS PROPERLY BEFORE USE. See page 3.

PLACEMENT

Unit can be used either on a countertop surface or can be dropped into an opening in a countertop.

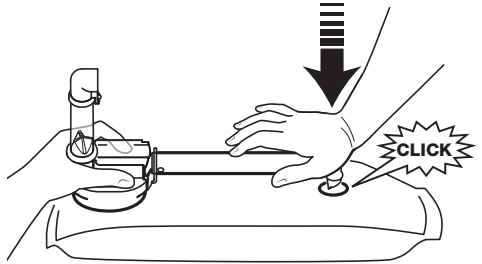
Recommended countertop opening size:
8 1/2" diameter



1 ATTACH POUCH TO PUMP

Firmly press piercing connector into center of pouch fitment.

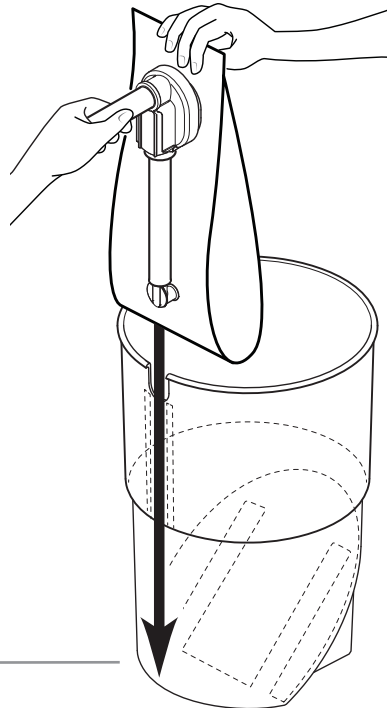
An audible click indicates a secure connection.



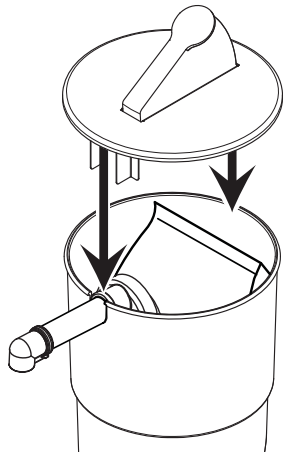
2 INSTALL PUMP

Slide pouch and pump into pouch support within vessel.

Align pump guides into slots in vessel.

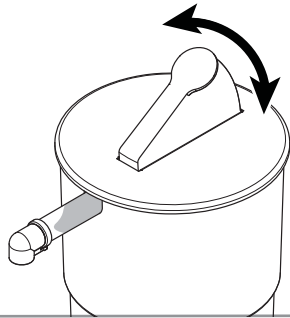


3 PLACE LID ON TOP



4 PRIME PUMP

Press lever several times until you see product in discharge tube.



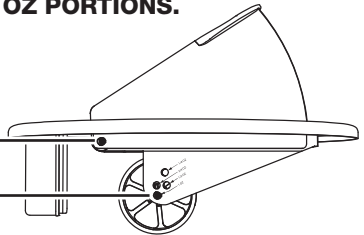
PORTION CONTROL

THE LID IS SET TO DELIVER 1 OZ PORTIONS.

If lid reassembly is needed,
or to specify a different portion size:

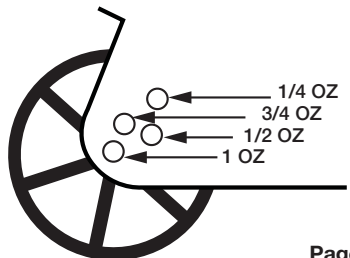
One hinge pin attaches lever to lid.

Second hinge pin attaches roller to lever.
(Controls portion dispensed.)

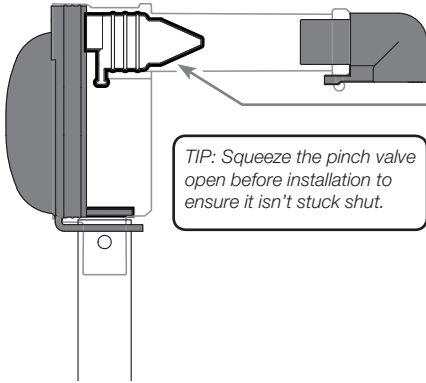


Install hinge pin through center
roller hole and desired portion
hole on lever.

Pin snaps into place.



TROUBLESHOOTING



DIFFICULT TO ATTACH PARTS?

- Wet parts with clean water to help fit.

PRODUCT DOESN'T PUMP?

- Ensure pinch valve is inserted in housing.
- Ensure connector is snapped fully in place to fitment in pouch.
- Ensure pump is properly attached to pouch.
- Clean pump thoroughly.
- Ensure pump is properly installed into retaining slots inside front wall of vessel.

DOMES POPS OFF?

- Clean thoroughly. Food residue could prevent a tight seal between dome and housing.
- Ensure dome edges are flush with housing.

SERVER PRODUCTS LIMITED WARRANTY

2 YEAR WARRANTY

Server Products equipment is backed by a two-year limited warranty against defects in materials and workmanship.

For complete warranty information go to:

www.Server-Products.com

GENERAL SERVICE, REPAIR OR RETURNS

Before sending any item to Server Products for service, repair, or return, contact Server Products customer service to request a **Return Authorization Number**. Merchandise must be sent to Server Products with this number. Service is extremely prompt. Typically, units are repaired and ship out within 48 hours of receipt.

Merchandise being returned for credit must be in new and unused condition and not more than 90 days old and will be subject to a 20% restocking charge.

NEED HELP?

Server Products Inc.

3601 Pleasant Hill Road
Richfield, WI 53076 USA



262.628.5600 | 800.558.8722



SPSALES@SERVER-PRODUCTS.COM

Please be prepared with your **Model, Part, Series Number** and **Description**. This information is located on the lid and/or base of the unit.

Individual **Part Numbers** listed on page 4.