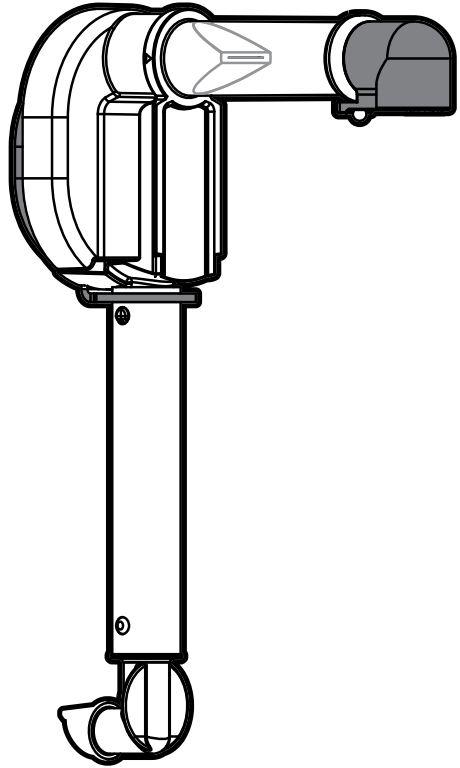
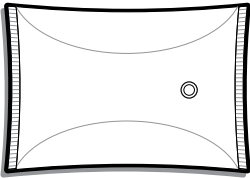


Server Express® Pumps

MODELS:
07405
07634



Used with pouches
up to 1½ gallons.



Thank You

for purchasing our Server Express® Pump.
Express™ pouched condiment systems are sealed and
sanitary, achieve excellent evacuation and have only a
few parts for easy clean-up.

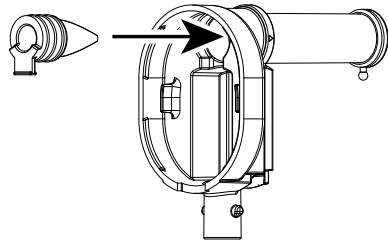
SIMPLIFY CONDIMENT MANAGEMENT— GO POUCHED

ASSEMBLY

WASH ALL PARTS
PROPERLY BEFORE USE. See page 3.

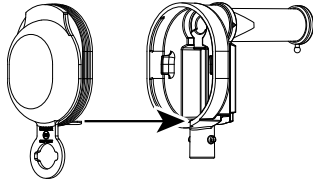
- 1** INSERT PINCH VALVE
into pump housing.

*TIP: Squeeze the pinch valve
open before installation to
ensure it isn't stuck shut.*

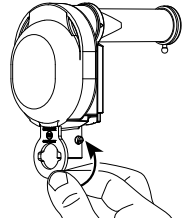


- 2** INSTALL DOME

Press dome into
housing fully.
Ensure valve flap
covers bottom
opening.

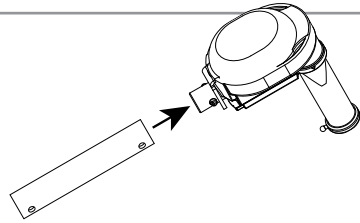


Wrap loop
around lower
opening to
secure dome.



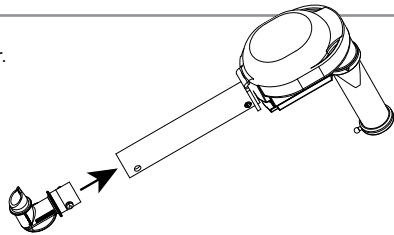
- 3** INSTALL TUBE

Lubricate with a small amount of clean water.
Rotate and position until both pegs on
housing fit into holes on tube.



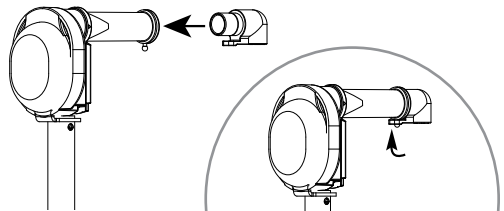
- 4** INSERT CONNECTOR

Lubricate with a small amount of clean water.
Rotate and position until both pegs on
connector fit into holes on tube.
Connector must point away from end of
discharge tube.



- 5** INSERT DISCHARGE FITTING

into pump housing discharge tube.
Place loop of fitting around end of
discharge tube to secure.



SAFETY



IMPORTANT

Clean, rinse, sanitize, and dry parts daily or regularly to comply with local sanitization requirements.

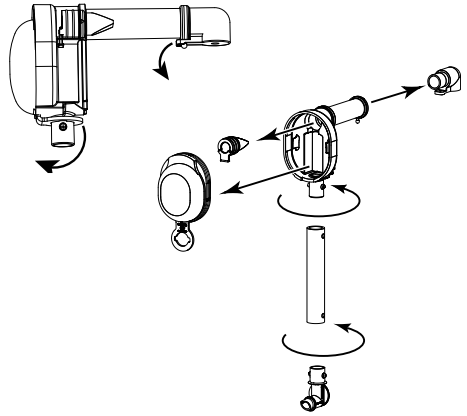
According to food and safety regulations, most foods must be stored and/or served at certain temperatures or they could become hazardous. Check with local food and safety regulators for specific guidelines. Server Products, Inc. cannot be responsible for the serving of potentially hazardous product.



NSF International lists this pump as:
"Not acceptable for dispensing potentially hazardous foods."

ADA
compliant

DISASSEMBLY



CLEANING

1

FLUSH & RINSE

all pump surfaces with hot water. Place lower end of pump into container of hot water and operate pump until all remaining product is expelled and only hot water is discharged.

2

DISASSEMBLE & CLEAN

all washable parts with soap and hot water. Use brush to clean any confined areas.

3

RINSE fully with clear water.

4

SANITIZE

all parts according to local sanitization requirements. All parts in contact with food must be sanitized.

5

AIR DRY all parts fully.

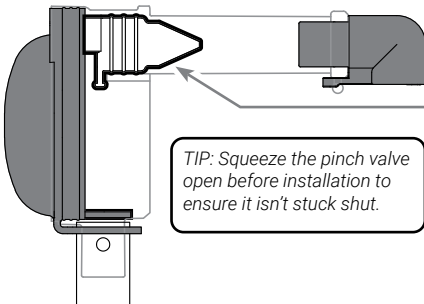


YES!

**Use dishwashing soap,
hot water
and nylon brush**

- Dishwasher safe
- Do not use abrasive, caustic or ammonia based cleansers.
- Do not use cleansing agents with high concentrations of acid, alkaline or chlorine.
- Do not use metal scrapers or cleaning pads that could scratch surfaces.

TROUBLESHOOTING



DIFFICULT TO ATTACH PARTS?

- Wet parts with clean water to help fit.

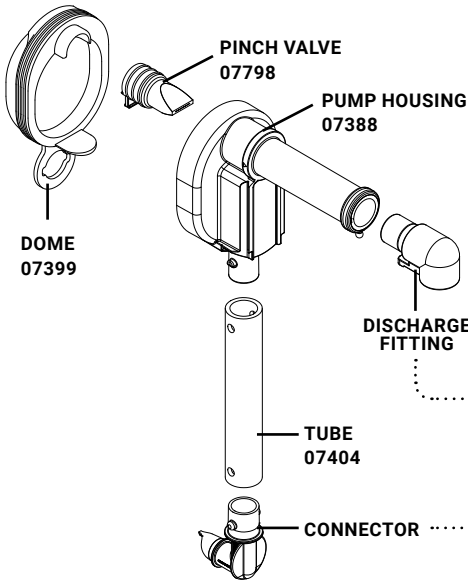
PRODUCT DOESN'T PUMP?

- Ensure pinch valve is inserted in housing.
- Ensure connector is snapped fully in place to fitment in pouch.
- Ensure pump is properly installed in unit.
- Clean pump thoroughly.

DOMES POPS OFF?

- Clean thoroughly. Food residue could prevent a tight seal between dome and housing.
- Ensure dome edges are flush with housing.

PUMP COMPONENT PART NUMBERS



PART	QTY	DESCRIPTION
07399	1	PUMP DOME, BLUE
07798	1	LARGE PINCH VALVE
07388	1	PUMP HOUSING
07404	1	5" TUBE

PUMP MODEL	DISCHARGE FITTING SIZE	PART NUMBER
07405	.256, MEDIUM	07796
07634	.394, LG, BLACK	07797

PUMP MODEL	CONNECTOR SIZE	PART NUMBER
07405	16MM, CLEAR	07381
07634	16MM, CLEAR	07381

SERVER PRODUCTS LIMITED WARRANTY

2
YEAR
WARRANTY

This Server product is backed by a two-year limited warranty against defects in materials and workmanship. See Server-Products.com for details.

GENERAL SERVICE, REPAIR OR RETURNS

Before sending any item to Server Products for service, repair, or return, contact Server Products customer service to request a **Return Authorization Number**. Merchandise must be sent to Server Products with this number. Service is extremely prompt. Typically, units are repaired and ship out within 48 hours of receipt.

Merchandise being returned for credit must be in new and unused condition and not more than 90 days old and will be subject to a 20% restocking charge.

NEED HELP?

Server Products Inc.
3601 Pleasant Hill Road
Richfield, WI 53076 USA

Chat with us!
spsales@server-products.com
262.628.5600 | 800.558.8722

Please be prepared with your **Model, P/N** and **Series** located on the lid or base of the unit.

Example:

MODEL XXXX P/N #####	NSF	SERIES ##X ##X
-------------------------------	-----	-------------------