



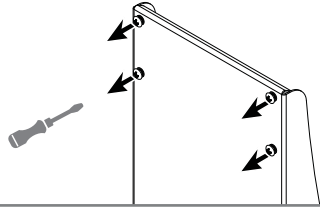
SERVER

InSweeten™ Triple Station

MODEL: BS-ST
100017

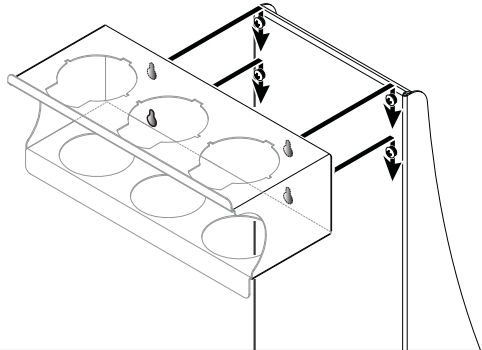
You will need: Phillips-head Screwdriver.

- 1 LOOSEN** (but do not remove)
(4) SETS OF SCREWS & WASHERS



- 2 INSTALL SHELF
ONTO SCREWS**
Slide keyholes over screws.

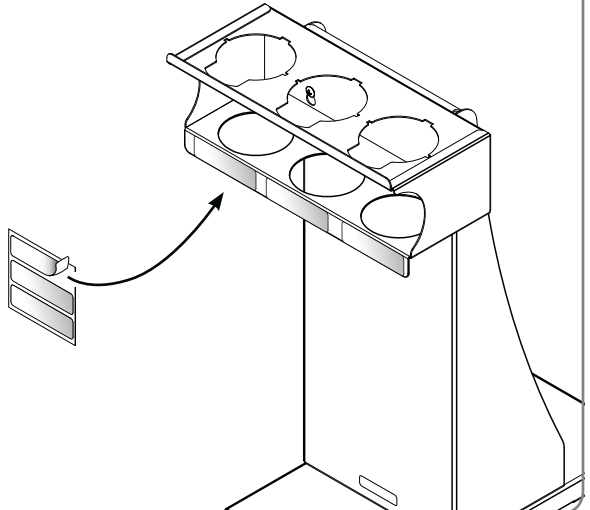
Fit lock washers
between
screw heads
and shelf
keyholes.



- 3 SECURE SHELF**
Tighten screws with
Phillips-head screwdriver.



- 4 APPLY DECALS**
onto lower face of triple shelf.
Clean surface first if needed.





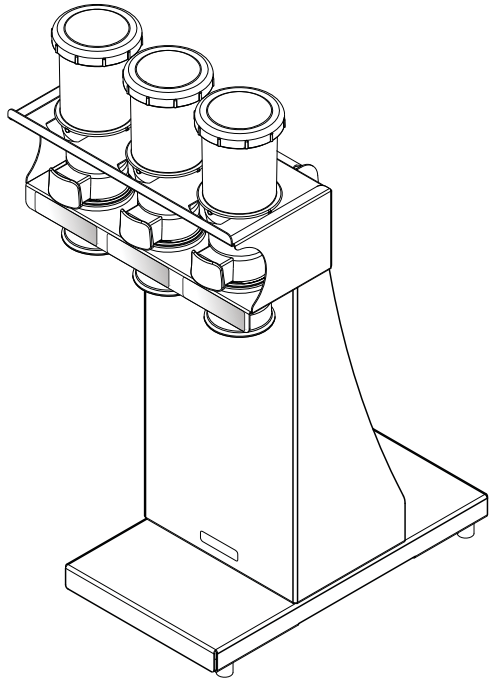
SERVER

InSweeten™ Triple Station

MODEL: BS-ST
100017

USE THE STATION WITH INSWEETEN DISPENSERS

sold separately



CLEANING THE STATION

- Sanitize all parts according to local sanitization requirements. All parts in contact with food must be sanitized.
- External surfaces may be wiped clean with a clean damp cloth.
- Glass and surface cleaners approved for use in food contact areas may be used.
- Do not use abrasive, caustic or ammonia based cleansers.
- Do not use metal scrapers or cleaning pads that could scratch surfaces.

Server Products Inc.

3601 Pleasant Hill Road
Richfield, WI 53076 USA

262.628.5600 | 800.558.8722



SPSALES@SERVER-PRODUCTS.COM
WWW.SERVER-PRODUCTS.COM



COMPONENT