



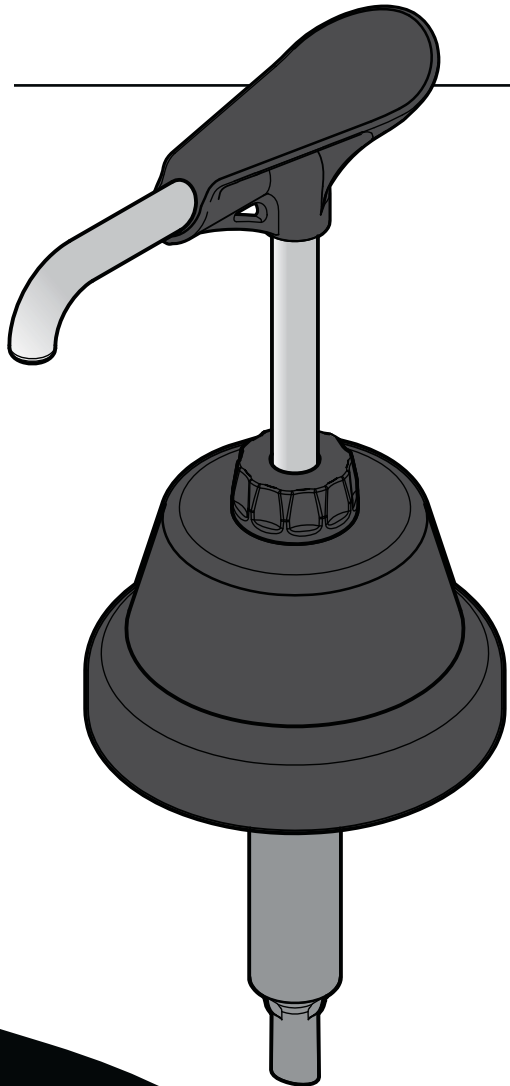
S E R V E R

SERVE BETTER™

## Eco Pump™

MODEL: BP-1

88717



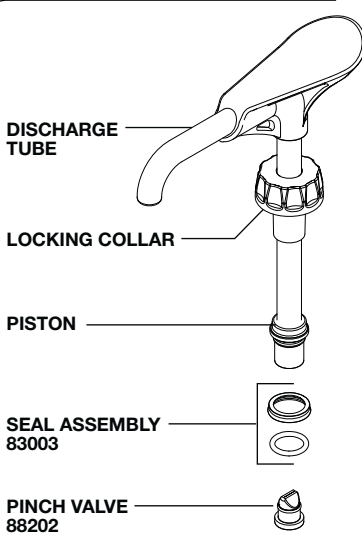
### ***Thank You***

...for purchasing our Eco Pump™.  
This quality, NSF listed pump delivers precise portions and is a reliable alternative to the constant expense of disposable pumps.

CONSISTENT PORTIONS—SERVE BETTER

# PARTS FOR PUMP 88717

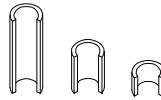
## HEAD ASSEMBLY 88718



## PUMP DELIVERS 1 OZ PORTIONS

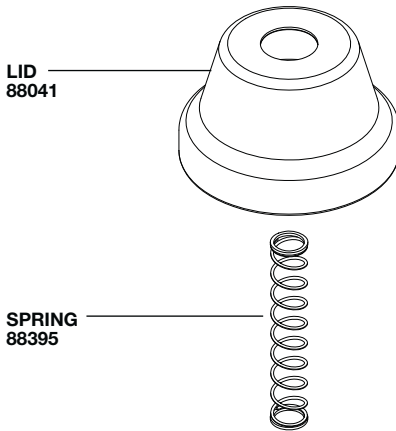
To reduce portion, add GAGING COLLAR(S)

- 88313 Small collar: 1/8 oz reduction
- 88204 Medium collar: 1/4 oz reduction
- 88205 Large collar: 1/2 oz reduction

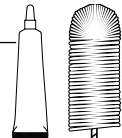


### COLLAR(S) USED PORTION RESULTS

None	1 fl oz
1 Sm	7/8 fl oz
1 Med	3/4 fl oz
1 Lg	1/2 fl oz
1 Lg + 1 Med	1/4 fl oz
1 Lg + 1 Med + 1 Sm	1/8 fl oz



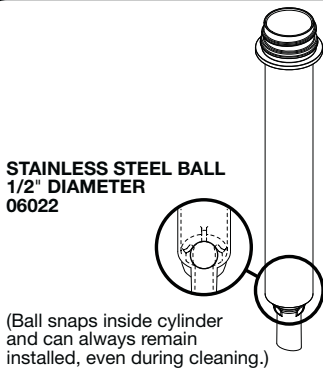
## FOOD EQUIPMENT LUBRICANT 40179



## 11" BRUSH 82049

## 21" BRUSH 82526

## CYLINDER ASSEMBLY 88719



# SAFETY



According to food and safety regulations, most foods must be stored and/or served at certain temperatures or they could become hazardous. Check with local food and safety regulators for specific guidelines.

## IMPORTANT

Clean, rinse, sanitize, and dry parts daily or regularly to comply with local sanitization requirements.

Be aware of the product you are serving and the temperature the product is required to maintain. Server Products, Inc. cannot be responsible for the serving of potentially hazardous product.



NSF International lists this pump as: "Not acceptable for dispensing potentially hazardous foods."

# DISASSEMBLY

## DISASSEMBLE AND WASH

**ALL PARTS PROPERLY BEFORE USE.** See page 4.

During disassembly, collect small parts in a container to prevent loss.

**1 REMOVE PUMP**  
from container of product.

**2 SEPARATE CYLINDER, LID & HEAD**  
Loosen locking collar to release.

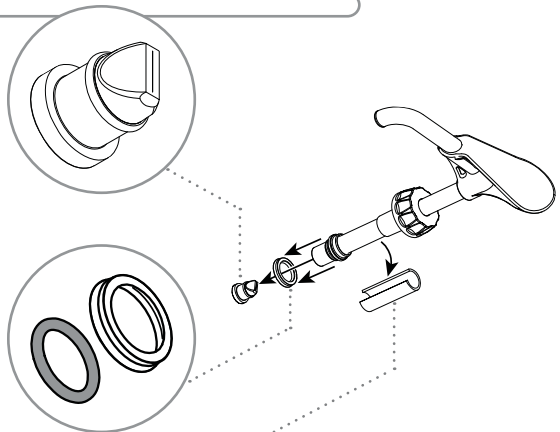
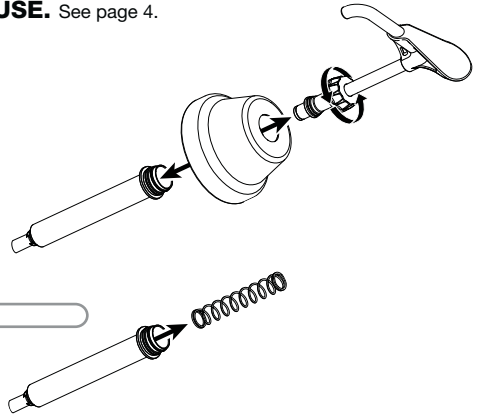
**3 REMOVE SPRING FROM CYLINDER**

**4 REMOVE PINCH VALVE**  
from head assembly.  
Pinch gently and twist to pull valve out.

**5 REMOVE SEAL**  
from head assembly by pressing it down and off with thumb.  
Do not use a sharp tool.

**6 REMOVE O-RING FROM SEAL**

**7 REMOVE ANY GAGING COLLAR(S)**  
if necessary for cleaning.



# CLEANING



## 1 FLUSH & RINSE

all pump surfaces with hot water.  
Place lower end of pump into container of hot water and operate pump until all remaining product is expelled and only hot water is discharged.

**YES!**

**Use dishwashing soap, hot water and nylon brush**

*Pump is dishwasher safe.*

## 2 DISASSEMBLE & CLEAN

all washable parts with soap and hot water  
(See DISASSEMBLY on page 3.)

### USE SUPPLIED BRUSH

to thoroughly clean inside discharge tube and any confined areas.

## 3 RINSE

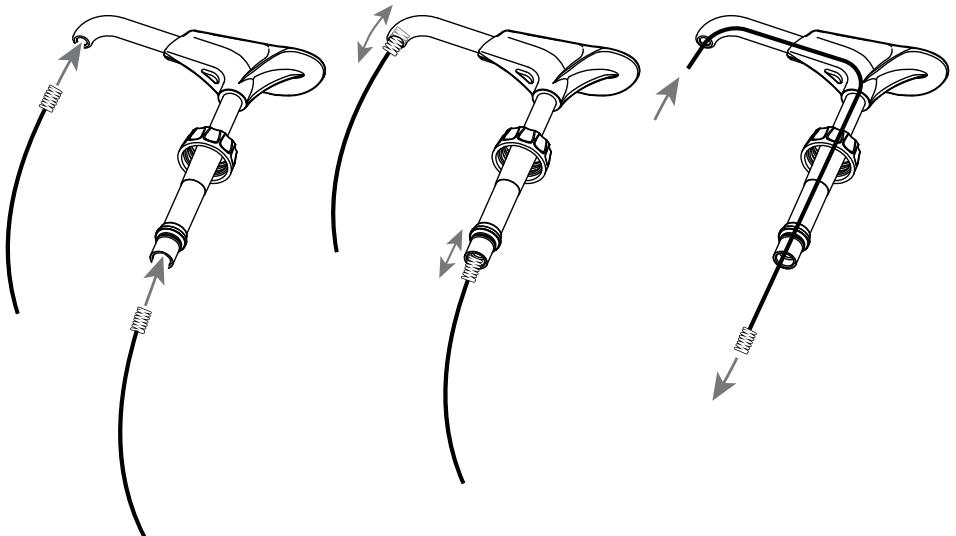
fully with clear water.

## 4 SANITIZE

all parts according to local sanitization requirements. All parts in contact with food must be sanitized.

## 5 AIR DRY

all parts fully.



# CLEAN-IN-PLACE PROCEDURE FOR PUMPS

## 1 CLEAN

- Pump out all (if any) remaining food product from inside pump body.
- Wash and rinse off outside of pump body.
- Flush out and rinse inside of pump.
- Place lower end of pump into container full of water and operate pump until all (if any) remaining product is expelled and only warm water flows from discharge tube.
- Mix 2 tsp (5 mL) of dishwashing detergent with 1 quart (.95 L) of hot tap water (approximately 110°F/43°C).
- Place lower end of pump into cleaning mixture. Pump until all cleaning mixture is expelled.

## 2 RINSE

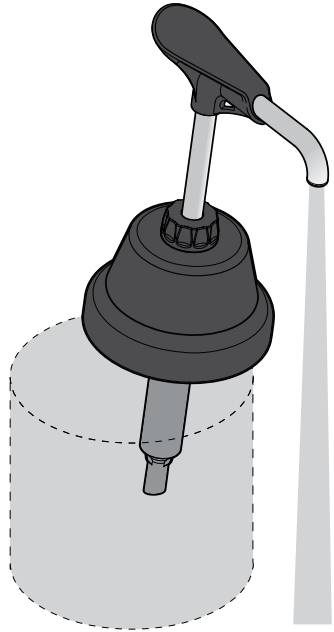
- Place lower end of pump into 2 cups (.5 L) of hot tap water (approximately 110°F/43°C) and pump until all tap water is expelled.

## 3 SANITIZE

- Mix one 1 oz (30 mL) packet of KAY-5 Sanitizer/Cleaner (EPA REG No. 5389-15) with 2.5 gallons (9.5 L) of tap water (approximately room temperature).
- Place lower end of pump into this sanitizing mixture and repeatedly operate pump until 1 quart (.95 L) sanitizing mixture is pumped through pump.

## 4 RINSE

- Place lower end of pump into 1 cup (.24 L) of hot tap water (approximately 110°F/43°C) and pump until all tap water is expelled.



# CARE OF STAINLESS STEEL

This durable pump includes stainless steel components.

If you notice corrosion beginning on any stainless steel surface, you may need to change the cleansing agent, sanitizing agent, or the cleaning procedures you are using.

- A mildly abrasive nylon or brass brush may be used to remove any stubborn deposits.

- Fully rinsing and drying all parts can help prevent corrosion. Elements and minerals in tap water can accumulate on stainless steel parts and create corrosion.
- Do not use abrasive, caustic or ammonia based cleansers.
- Do not use products containing acids, alkalines, chlorine, or salt. These agents can corrode stainless steel.
- Do not use metal scrapers or cleaning pads that could scratch surfaces.

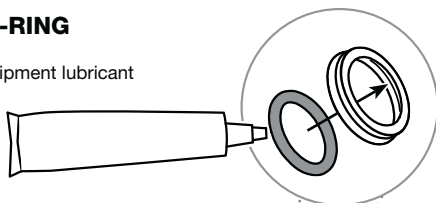
# ASSEMBLY



**PRACTICE SAFETY. WASH ALL PARTS PROPERLY BEFORE USE.** See page 4.

## 1 INSTALL O-RING

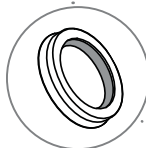
into seal.  
Apply food equipment lubricant  
on O-ring



## 2 INSTALL SEAL

onto head assembly piston.  
Apply small amount of food equipment  
lubricant inside seal.

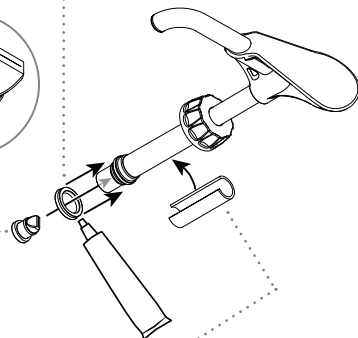
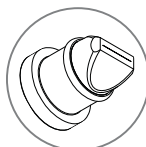
**TIP:** Flared end of seal should face  
away from piston head.



## 3 INSTALL PINCH VALVE

**TIP:** Squeeze the pinch valve open  
before installation to ensure it isn't  
stuck shut.

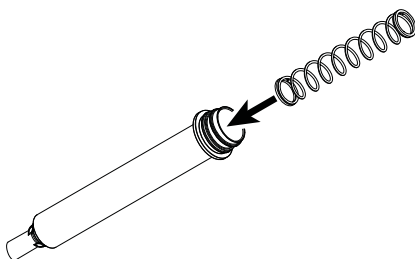
Install pinch valve into bottom of piston.  
Press pinch valve securely to seal end.



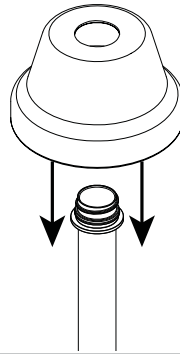
### OPTIONAL: ADD GAGING COLLAR(S)

to reduce portion size.  
Small collar: 1/8 oz reduction  
Medium collar: 1/4 oz reduction  
Large collar: 1/2 oz reduction

## 4 INSERT SPRING INTO CYLINDER

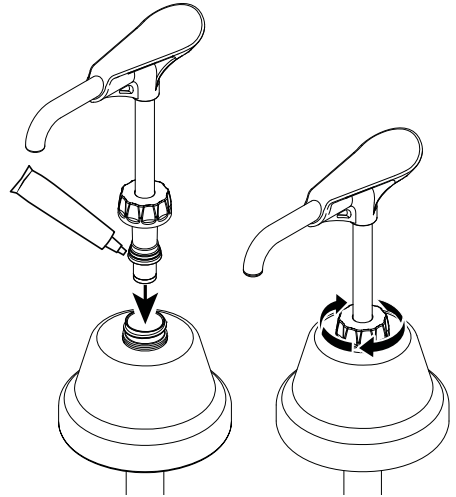


**5 ADD LID ONTO CYLINDER**

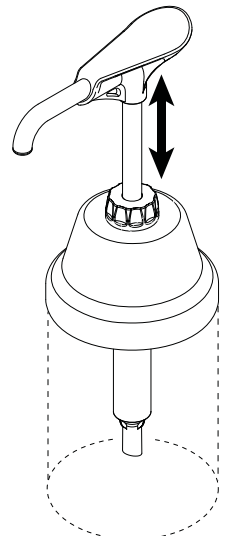


**6 INSTALL HEAD ASSEMBLY INTO CYLINDER**

Apply a small amount of food equipment lubricant to the outside of seal.  
Slide locking collar down onto cylinder threading.  
Tighten firmly to secure head assembly to cylinder.



**7 INSERT PUMP**  
into product container.

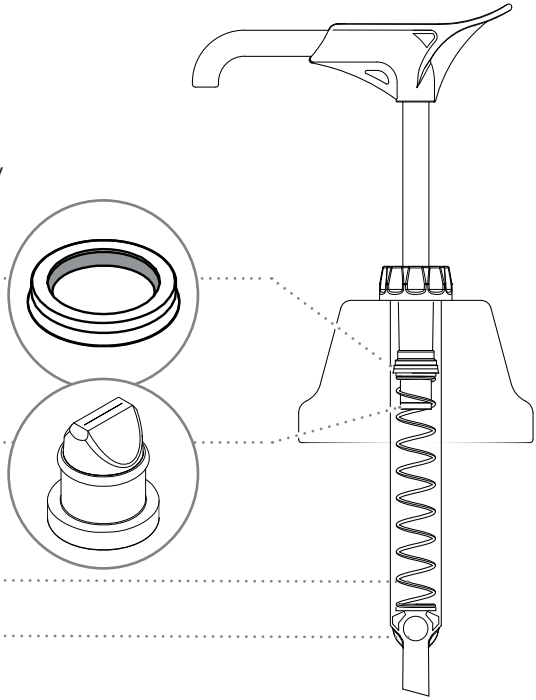


**8 PRIME PUMP**  
Press pump several times until any air bubbles are eliminated and only product is dispensed.

# TROUBLESHOOTING

## INCONSISTENT PORTIONS?

- Clean pump.
- Ensure product container is not empty and has **enough product** to pump.
- Ensure unit is **assembled correctly**.  
**TIP:** Seal has a slight taper. Install with flat side towards top, flared side down.
- Ensure **pinch valve** is installed correctly.  
**TIP:** Squeeze the pinch valve open before installation to ensure it isn't stuck shut.
- Ensure that the **spring** is functional. Replace broken spring if necessary.
- Ensure that the **stainless steel ball** is snapped in place below tabs.



## SERVER PRODUCTS LIMITED WARRANTY

**2** YEAR WARRANTY

Server Products equipment is backed by a two-year limited warranty against defects in materials and workmanship.

For complete warranty information go to:

[www.Server-Products.com](http://www.Server-Products.com)

## GENERAL SERVICE, REPAIR OR RETURNS

Before sending any item to Server Products for service, repair, or return, contact Server Products customer service to request a **Return Authorization Number**. Merchandise must be sent to Server Products with this number. Service is extremely prompt. Typically, units are repaired and ship out within 48 hours of receipt.

Merchandise being returned for credit must be in new and unused condition and not more than 90 days old and will be subject to a 20% restocking charge.

## NEED HELP?

### Server Products Inc.

3601 Pleasant Hill Road  
Richfield, WI 53076 USA



262.628.5600 | 800.558.8722



[SPSALES@SERVER-PRODUCTS.COM](mailto:SPSALES@SERVER-PRODUCTS.COM)

Please refer to page 2 for descriptions of pump components.

Examine your pump parts. Certain components may be marked with individual part numbers.