

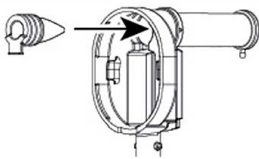
# TOUCHLESS EXPRESS™ QUICK START GUIDE

## TIPS AND TRICKS TO HELP YOU GET STARTED WITH YOUR NEW DIRECT-POUR TOUCHLESS EXPRESS UNIT.

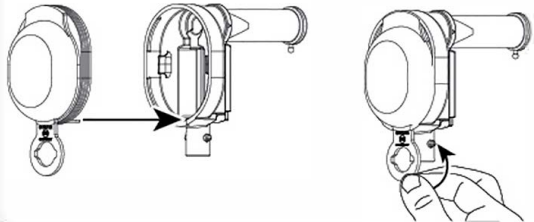
**1** Wash all parts properly before use.



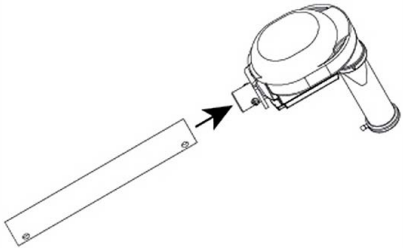
**2** Squeeze pinch valve open to ensure it isn't stuck shut and insert into pump housing.



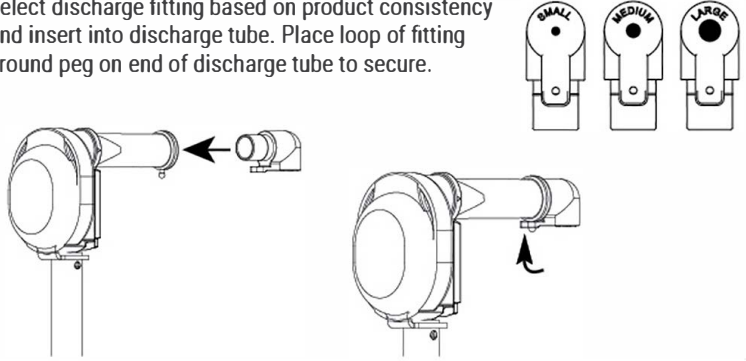
**3** Press dome into housing fully and wrap loop around lower opening to secure.



**4** Install tube by rotating until both pegs on housing fit into holes on tube.

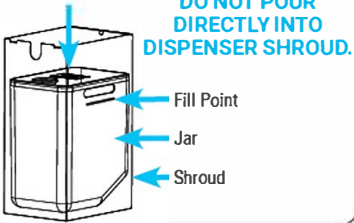


**5** Select discharge fitting based on product consistency and insert into discharge tube. Place loop of fitting around peg on end of discharge tube to secure.



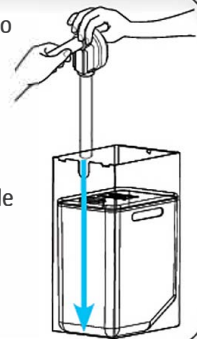
**6** Fill jar to 1/2-inch below the handle. Put the lid on the jar and place it inside the shroud.

**DO NOT POUR DIRECTLY INTO DISPENSER SHROUD.**

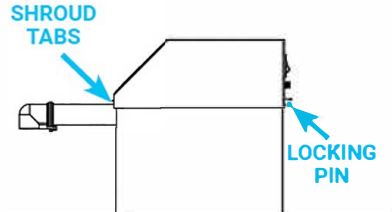


Fill Point  
Jar  
Shroud

**7** Place pump into the shroud by aligning pump guides into the slots and the pick-up tube through the hole in the jar lid.

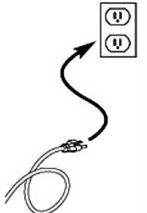


**8** Put lid on shroud by matching lid slots with shroud tabs. Pull out locking pin to slide the lid into position and release to lock.



SHROUD TABS  
LOCKING PIN

**9** Plug cord into power outlet and press switch on.




**10** When starting the unit, it will cycle through three light colors (red, blue & green). Light will show blue when the unit is at rest and ready to go.



DIRECT-POUR MANUAL

**CONSULT YOUR MANUAL FOR MORE TROUBLESHOOTING INFORMATION.**

**11** To prime pump or dispense manually, press area below sensor window. Hold hand over sensor window for touchless operation and start dispensing!



SENSOR  
MANUAL BUTTON



### WANT TO LEARN MORE?

Consult your manual or visit [YouTube.com/ServerProducts](https://www.youtube.com/ServerProducts) for more videos.

[spsales@server-products.com](mailto:spsales@server-products.com) | 800.558.8722

